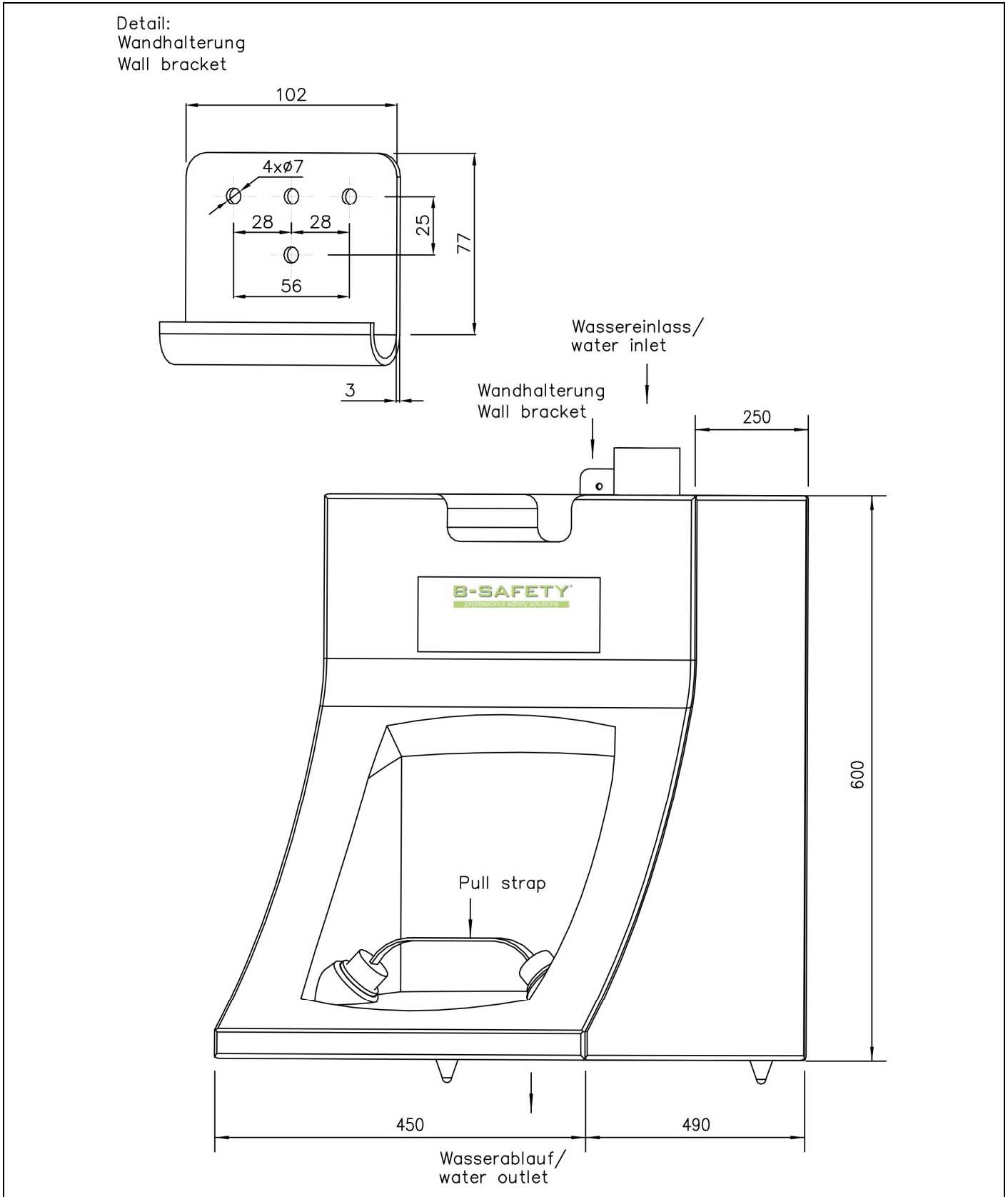


BR 952 005

ClassicLine tank eyewash station with 60-litre-tank, wall-/table mounted



www.b-safety.com

Technical description

ClassicLine tank eyewash station with 60-litre-tank, wall-/table mounted

- for mobile use or when no water connection is available
- tank of chemical-resistant plastic, green, with a tank capacity of 60 litres
- tank is sufficient for approx. 15 minutes uninterrupted flushing time
- water inlet via large screw cap, top of tank
- easy and simple activation by dragging down the pull strip
- softly radiating low-pressure spray heads, which supply both eyes with the rinsing liquid
- sign for eye shower according to DIN EN ISO 7010 und ASR A1.3, self-adhesive PVC-film, 100 x 100 mm, viewing distance 10 metre
- dimensions (H x W x D): 580 x 450 x 450 mm
- according to ANSI Z358.1-2014 and DIN EN 15154-4:2009

Manufacturer: B-SAFETY or equal
 Article-No.: BR 952 005

Technical specifications

Material:	GRP-plastic, chemical resistant
Color:	Green
Dimensions (H x W):	580 x 450 mm
Tank capacity:	60 litre
Flush time:	About 15 minutes
Water filling:	Screw cap

Norm conformity

- DIN EN 15154-4:2009
- ANSI Z358.1-2014

Approvals

- GOST-R, Zertifikats-Nr. 0615463

Product overview

BR 952 005	ClassicLine tank eyewash station with 60-litre-tank, wall-/table mounted
-------------------	--

Accessories for Tank-Eyewash Stations

Product overview	Model	Dimensions (H x W x D)	Capacity	Article-No.
	Antibacterial addition for tank eyewash stations and tank safety showers. Disinfects and preserves water for up to 6 months, dosing: 10 ml to 100 litres water.	-	100 ml	BR 910 980
	Wall bracket, for ClassicLine tank eyewash stations.	75 x 100 x 45 mm	-	BR 952 100
	Filler cap, for ClassicLine tank eyewash stations.	25 x 215 x 95 mm	-	BR 952 200
	Nozzle assembly, for ClassicLine tank eyewash stations.	60 x 70 x 70 mm	-	BR 952 300
	Pull strap, for ClassicLine tank eyewash stations.	20 x 340 x 60 mm	-	BR 952 400