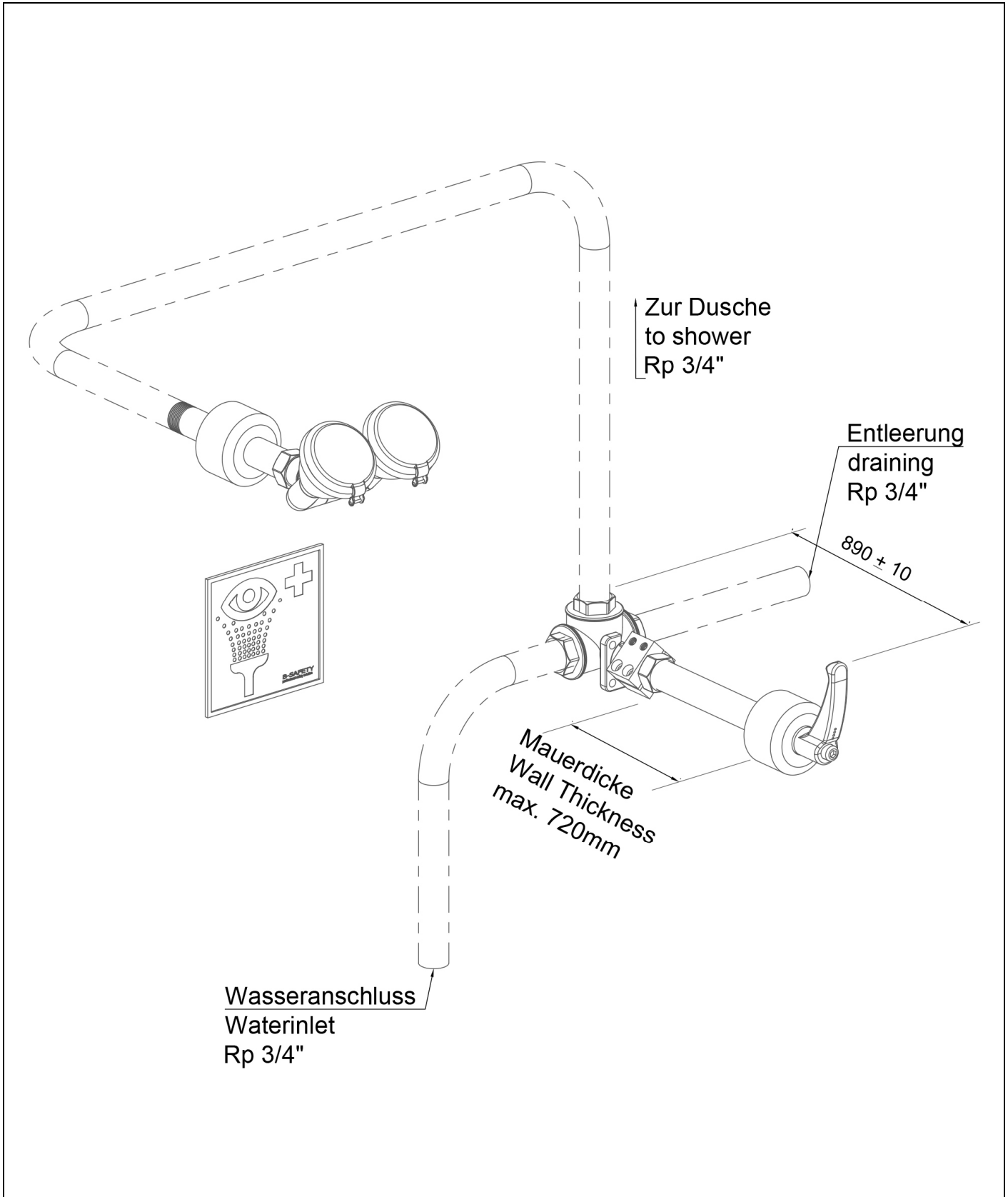


[www.b-safety.com](http://www.b-safety.com)

BR 880 095

PremiumLine frost-protected self-draining eye shower, actuation by 3-way ball valve, wall mounted



**Technical description**

PremiumLine frost-protected self-draining eye shower, actuation by 3-way ball valve, wall mounted

- 3-way-ball-valve 3/4" of brass that automatically drains the shower downwards when not in use, water inlet 3/4" female
- spindle extension, standard length 800 mm, can be shortened to the appropriate length on site, including stainless steel push rosette to cover the installation
- adjustable plastic clamp-lever-handle, lockable with tools, orange, total length 110 mm
- actuation via swivelling lever, opening angle 90°, not self-closing
- connection pipe of stainless steel, polished, length 120 mm, water inlet 3/4" female, from behind through the wall
- integrated flow regulation 14 litre / minute for a standard-compliant jet pattern at a specified working range of 1.5 to 5 bar flow pressure
- high-performance spray heads for large-scale dispersion of water of stainless steel, polished, 45° angled, with plastic spray plate, low calcification, incl. rubber sleeves and sealed dust caps, mounted over distributor fork
- push-on rosette of stainless steel to cover the installation
- sign for eye shower according to EN ISO 7010 und ASR A1.3, self-adhesive PVC-film, 100 x 100 mm, viewing distance 10 metre
- information sign "OPEN" for confusion-free use in an emergency, orange, photoluminescent according to DIN 67510
- mounting height 900 mm (± 200 mm)
- according to BGI/GUV-I 850-0, DIN 1988 and EN 1717
- according to ANSI Z358.1-2014 and EN 15154-2:2006

Manufacturer: B-SAFETY or equal  
Article-No.: BR 880 095

**Technical specifications**

Minimum flow pressure: 1.5 bar  
 Operating pressure: 1.5 to 5 bar  
 Flow rate: 14 l/min  
 Water inlet: 3/4" female

**Compliance with standards**

- EN 15154-2:2006  
 - ANSI Z358.1-2014

**Approvals**





- GOST-R, Certificate No. 0615463

Material-overview	Material	Material description
High-performance spray heads:	stainless steel	AISI 316
Ball valve:	brass	CW617N
Lever:	plastic	-
Flow regulator:	plastic POM	-
Piping:	stainless steel	AISI 316
Spindle extension:	aluminum	-
Push-on rosette:	stainless steel	AISI 304
Safety sign, OPEN-sign:	PVC-foil	-

**Product overview**

**BR 880 095** PremiumLine frost-protected self-draining eye shower, actuation by 3-way ball valve, wall mounted

**Accessories for frostprotected lab safety showers**

Product overview	Model	Material	Water inlet	Water outlet	Article-No.
	Maintenance ball valve for safety showers with removable trigger lever.	stainless steel	3/4" female	3/4" female	<b>BR 830 955</b>
	Thermostatic mixing valve for eye showers, adjustment range 20 - 43°C, scald protection 43°C, flow rate max. 20 l/min.	brass	1/2" male and 3/4" male	1/2" male and 3/4" male	<b>BR 710 940</b>
	Flow switch for eye showers, protection degree IP 65, electrical supply with 1.5 m cable.	brass	3/4" female	3/4" female	<b>BR 710 800</b>
	ClassicLine alarm system for eye showers & safety showers with siren-/flashlight combination. Prewired junction box inclusive electronic switch.  Electrical supply: 230 V - 50 Hz	-	-	-	<b>BR 015 800</b>