



B-SAFETY
PROFESSIONAL SAFETY SOLUTIONS

Article No.:

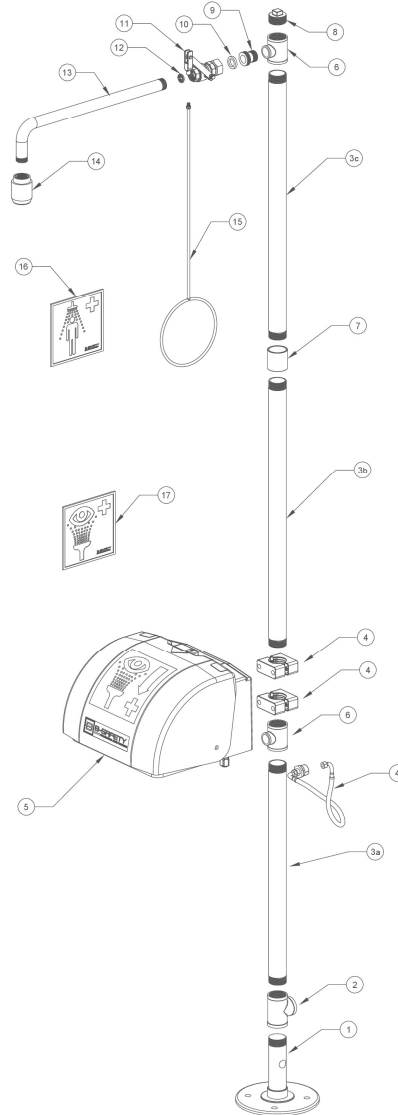
BR 838 095D

REV / DATE :

01/24

Description:

PremiumLine body safety shower with eye-/face wash unit with bowl and lid, floor mounted



Part No.	Article No.	Quantity	Description	Material	Weight
1	FS1-095	1	Base plate round, stainless steel	Stainless steel AISI 316	2.42 kg
2	FST114-095	1	T-piece 1 1/4", stainless steel	Stainless steel AISI 316	0.30 kg
3a	FSR-095-665	1	Pipe 1 1/4", length 665 mm, stainless steel	Stainless steel AISI 316	1.70 kg
3b	FSR-095-680	1	Pipe 1 1/4", length 680 mm, stainless steel	Stainless steel AISI 316	1.90 kg
3c	FSR-095-625	1	Pipe 1 1/4", length 625 mm, stainless steel	Stainless steel AISI 316	1.60 kg
4	F87053-2	1	Fixing kit for eye-/face wash units with bowl and lid	Various materials	0.32 kg
5	BR 850 005	1	Eye-/face wash unit with bowl and lid	Various materials	3.86 kg
6	FST11434-095	2	T-piece with reduction 1 1/4" x 3/4", stainless steel	Stainless steel AISI 316	0.15 kg
7	FSM114-095	1	Sleeve 1 1/4", stainless steel	Stainless steel AISI 316	0.21 kg
8	FS8	1	Plug 1 1/4"	Stainless steel AISI 316	0.08 kg
9	XN1	1	Adapter XN1	Stainless steel AISI 316	0.06 kg
10	150040100	1	Gasket	Vulcan fiber	0.01 kg
11	F8276	1	Ball valve with lever and quick mounting system	Stainless steel AISI 316	0.38 kg
12	97BXX	1	Flow regulator 97B50 = 50 l/min (red) or 97B75 = 75 l/min (brown)	POM Hostaform C9021	0.01 kg
13	F81103	1	Bent pipe, stainless steel	Stainless steel AISI 316	0.94 kg
14	BR 010 395	1	High-performance shower head, stainless steel	Stainless steel AISI 316	0.62 kg
15	F801-095	1	Pull rod, stainless steel	Stainless steel AISI 316	0.41 kg
16	BR 205 105	1	Emergency sign, 150 x 150 mm	PVC film, self-adhesive	0.01 kg
17	BR 205 010	1	Emergency sign, 100 x 100 mm	PVC film, self-adhesive	0.01 kg