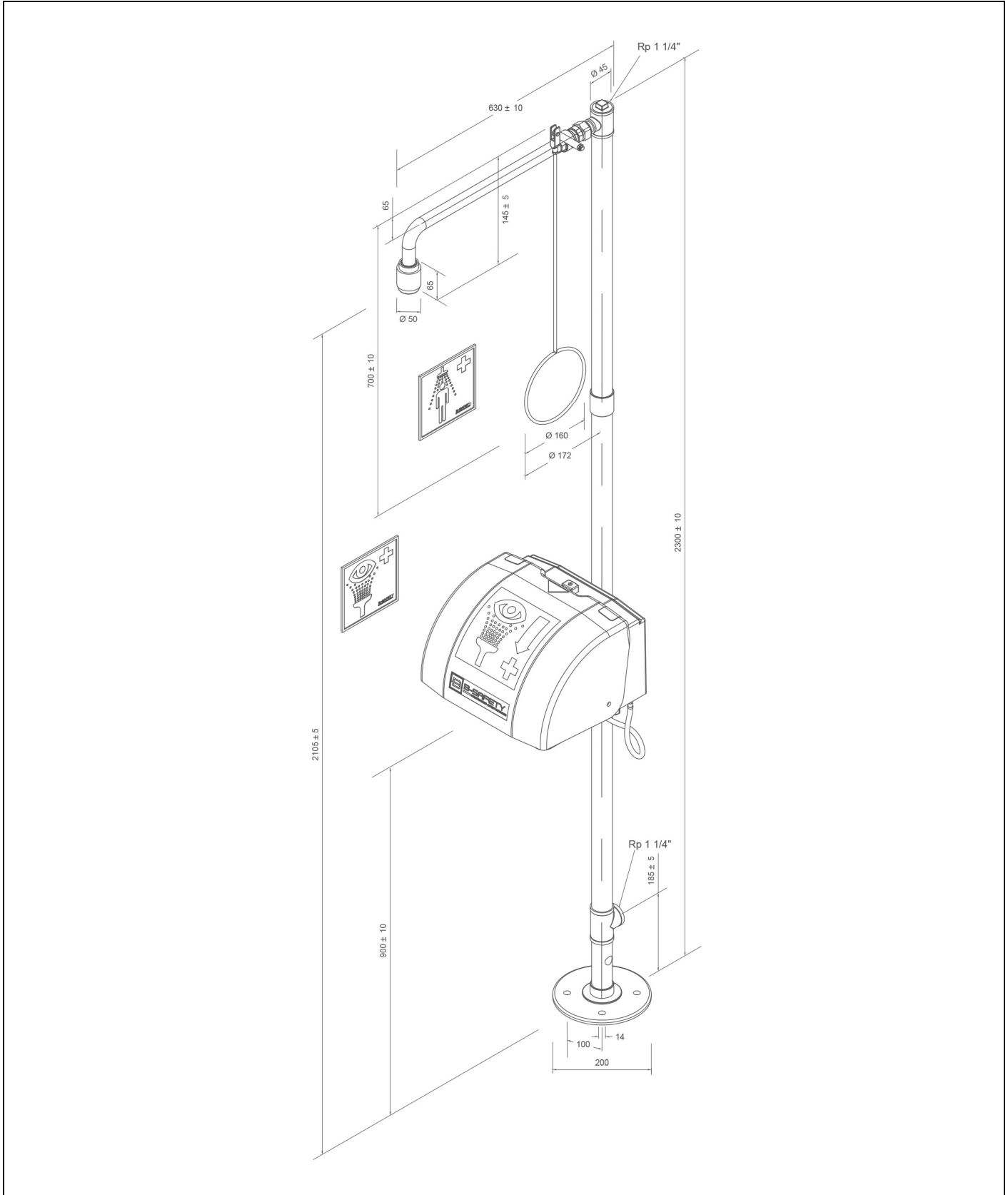


[www.b-safety.com](http://www.b-safety.com)

BR 838 085

ClassicLine body safety shower with eye-/face wash unit with bowl and lid, floor mounted



**B-SAFETY**<sup>®</sup>  
PROFESSIONAL SAFETY SOLUTIONS

B-SAFETY GmbH - Oststraße 85 - DE-22844 Norderstedt  
Fon: +49-(0)40/53 80 92-70 - Fax: +49-(0)40/53 80 92-86  
Web: [www.b-safety.com](http://www.b-safety.com) - E-Mail: [info@b-safety.com](mailto:info@b-safety.com)

**Technical description**

ClassicLine body safety shower with eye-/face wash unit with bowl and lid, floor mounted

- including top and bottom water inlet 1 1/4" female for installation in circulation lines, plug 1 1/4" of stainless steel
- base plate with 4 mounting holes of stainless steel, chemical resistant green powder coated, diameter 200 mm
- stand pipe 1 1/4" of stainless steel three-part, chemical resistant green powder coated, with top and bottom water inlet 1 1/4" female, total height 2300 mm
- connection piece of stainless steel, for easy installation and alignment of the shower
- ball valve 3/4" made of dezincification-resistant brass, with quick connect system and pull rod actuation, DIN-DVGW tested and certificated
- pull rod with ring handle of stainless steel, chemical resistant green powder coated, length 700 mm
- wall shower arm 3/4" of stainless steel, chemical resistant green powder coated, projection 630 mm
- integrated automatic flow regulation 50 l/min. for a spray pattern acc. to the norms at a specified operating range of 1.5 to 3 bar dynamic water pressure
- high-performance shower head of chemical resistant plastics, black, with improved spray pattern, corrosion resistant, largely scale and maintenance-free, very robust, self-draining
- sign for body safety shower according to EN ISO 7010 und ASR A1.3, self-adhesive PVC-film, 150 x 150 mm, viewing distance 15 metre
- integrated PremiumLine eye-/face wash unit with bowl and lid
- housing, lid and bowl made of UV and impact resistant ABS plastics, water outlet 1 1/2" male
- integrated protective cover against dust
- actuation by pulling down the lid
- ball valve 3/8" of brass, with lever actuation by lid, DIN-DVGW tested and certificated
- aerators made of brass with a very limited spray pattern, chrome-plated
- with integrated flow regulation valve 3/8" for setting the desired spray height and flow rate, water inlet 3/8" male
- inclusive sign for eye shower according to EN ISO 7010 und ASR A1.3 on the lid, dimensions 170 x 170 mm, viewing distance 17 metre
- according to BGI/GUV-I 850-0, DIN 1988 and EN 1717
- according to ANSI Z358.1-2014, EN 15154-1:20006, EN 15154-2:2006 and EN 15154-5:2019
- DIN-DVGW tested and certificated

Manufacturer: B-SAFETY or equal  
 Article-No.: BR 838 085

**Technical specifications**

|                          |                     |
|--------------------------|---------------------|
| Minimum flow pressure:   | 1.5 bar             |
| Operating pressure:      | 1.5 to 3 bar        |
| Flow rate body shower:   | 50 l/min            |
| Flow rate eye shower:    | 14 l/min            |
| Water inlet:             | 1 1/4" female       |
| Water outlet:            | 1 1/2" male         |
| Dimensions: (H x W x D): | 2300 x 355 x 630 mm |

**Compliance with standards**

- EN 15154-1:2006
- EN 15154-2:2006
- EN 15154-5:2019
- ANSI Z358.1-2014

**Approvals**



- DIN-DVGW, DVGW, NW-0416CL0425
- DIN-DVGW, DVGW, NW-0417CL0263
- GOST-R, Zertifikats-Nr. 0615463

[www.b-safety.com](http://www.b-safety.com)

| Material overview                   | Material                             | Material description |
|-------------------------------------|--------------------------------------|----------------------|
| High-performance shower head:       | plastic POM                          | -                    |
| Ball valve:                         | Dezincification-resistant, DZR brass | CW724R               |
| Flow regulator:                     | plastic POM                          | -                    |
| Piping:                             | stainless steel                      | AISI 304             |
| Pull rod with ring handle:          | stainless steel                      | AISI 201             |
| T-pieces, sleeve, plug:             | stainless steel                      | AISI 316             |
| Base plate:                         | stainless steel                      | AISI 201             |
| Sign for body safety shower:        | PVC-foil                             | -                    |
| Housing eye shower:                 | ABS plastics                         | -                    |
| Ball valve eye shower:              | brass                                | CW617N               |
| Aerators eye shower:                | Brass, chrome-plated                 | CW617N               |
| Regulation valve eye shower:        | Brass, chrome-plated                 | CW617N               |
| Sign for eye shower for eye shower: | PVC-foil                             | -                    |

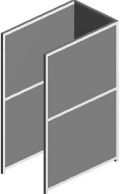


| Product overview         |   |
|--------------------------|---|
| <b>BR 838 085</b>        | ClassicLine body safety shower with eye-/face wash unit with bowl and lid, floor mounted - flow rate 50 l/min (hazard class I according to EN 15154-5:2019)           |
| <b>BR 838 085 / 75L</b>  | ClassicLine body safety shower with eye-/face wash unit with bowl and lid, floor mounted - flow rate 75 l/min / 20 GPM (hazard class II according to EN 15154-5:2019) |
| <b>BR 838 085 / 110L</b> | ClassicLine body safety shower with eye-/face wash unit with bowl and lid, floor mounted - flow rate 110 l/min (hazard class III according to EN 15154-5:2019)        |

## Accessories for industrial safety showers

| Product overview  | Model   | Material          | Water inlet | Water outlet | Article-No.       |
|---|---|-------------------|-------------|--------------|-------------------|
|  | Safety sign "Eye Shower and Safety Shower"<br><br>Inclusive fastening for mounting on the shower arm.<br><br>Dimensions: 320 x 180 mm | PVC               | -           | -            | <b>BR 870 100</b> |
|   | Platform actuation for eye showers and safety showers, in addition to the standard actuation.   | steel, galvanised | -           | -            | <b>BR 870 200</b> |
|   | Platform actuation for eye showers and safety showers, in addition to the standard actuation.   | stainless steel   | -           | -            | <b>BR 870 205</b> |

|   |  |                      |                       |                          |                     |
|---|--|----------------------|-----------------------|--------------------------|---------------------|
|    | Foot lever actuation for eye showers, in addition to the standard actuation.   | plastic              | -                     | -                        | <b>BR 870 371</b>   |
|    | Maintenance ball valve for eye showers and safety showers with removable trigger lever.  | stainless steel      | 1 1/4" female         | 1 1/4" male              | <b>BR 830 950</b>   |
|    | Thermostatic mixing valve for eye showers and safety showers, adjustment range 20 - 43°C, scald protection 43°C, flow rate 60 l/min at 2 bar flow pressure.                  | brass                | 3/4" male and 1" male | 3/4" male and 1" male    | <b>BR 710 950</b>   |
|    | Flow switch for eye showers and safety showers, protection degree IP 65, electrical supply with 1.5 m cable.   | brass                | 1 1/4" female         | 1 1/4" female            | <b>BR 710 860</b>   |
|   | Flow switch for eye showers and safety showers, protection degree IP 65, electrical supply with 1.5 m cable. EX-Zone 1 & 2.  | brass                | 1 1/4" female         | 1 1/4" female            | <b>BR 710 860EX</b> |
|  | Switch for body safety shower alarm, complete pre-assembled on shower. EX-Zone 1 & 2.  | plastic              | -                     | -                        | <b>BR 830 400</b>   |
|   | Switch for eye shower alarm, complete pre-assembled on shower. EX-Zone 1 & 2.  | plastic              | -                     | -                        | <b>BR 830 450</b>   |
|  | Alarm system for eye showers & safety showers with siren-/flashlight combination. Prewired junction box inclusive electronic switch.<br><br>Electrical supply: 230 V - 50 Hz | -                    | -                     | -                        | <b>BR 015 800</b>   |
|  | Anti-scald valve, switching points: open at 41°C, close at 35°C.   | stainless steel      | 1/2" female           | 1/2" female              | <b>BR 830 970</b>   |
|   | Frost protection valve, switching points: open at 1°C, close at 4°C.   | stainless steel      | 1/2" female           | 1/2" female              | <b>BR 830 980</b>   |
|  | Connection adapter 1 1/4", T-piece, for connection of the protection valves before the safety shower water connection.   | stainless steel      | 1 1/4" female         | 1 1/4" male<br>1/2" male | <b>BR 830 986</b>   |
|  | Catch basin of stainless steel, with a GRP step grate for eye showers and safety showers.<br><br>Dimensions: 1100 x 1100 x 150 mm  | stainless steel, GRP | -                     | 1 1/4" male              | <b>BR 830 700</b>   |

[www.b-safety.com](http://www.b-safety.com)

|   |   |                                 |                           |                    |                          |
|---|---|---------------------------------|---------------------------|--------------------|--------------------------|
|  | <p>Housing for safety showers with a stainless steel frame and stainless steel side walls.</p> <p>Dimensions: 2450 x 1100 x 1100 mm</p> | <p>stainless steel</p>          | <p>-</p>                  | <p>-</p>           | <p><b>BR 830 905</b></p> |
|  | <p>ANSI flange for eye showers and safety showers, B16.5, 150 LBS, form RF. Inclusive double nipple to 1 1/4" male.</p>                 | <p>stainless steel AISI 316</p> | <p>ANSI-flange 1 1/4"</p> | <p>1 1/4" male</p> | <p><b>BR 014 114</b></p> |
|  | <p>DIN flange for eye showers and safety showers, PN 10, with mounting. Inclusive double nipple to 1 1/4" male.</p>                     | <p>stainless steel AISI 316</p> | <p>DIN-flange 1 1/4"</p>  | <p>1 1/4" male</p> | <p><b>BR 016 114</b></p> |