

B-SAFETY
PROFESSIONAL SAFETY SOLUTIONS

Article No.:

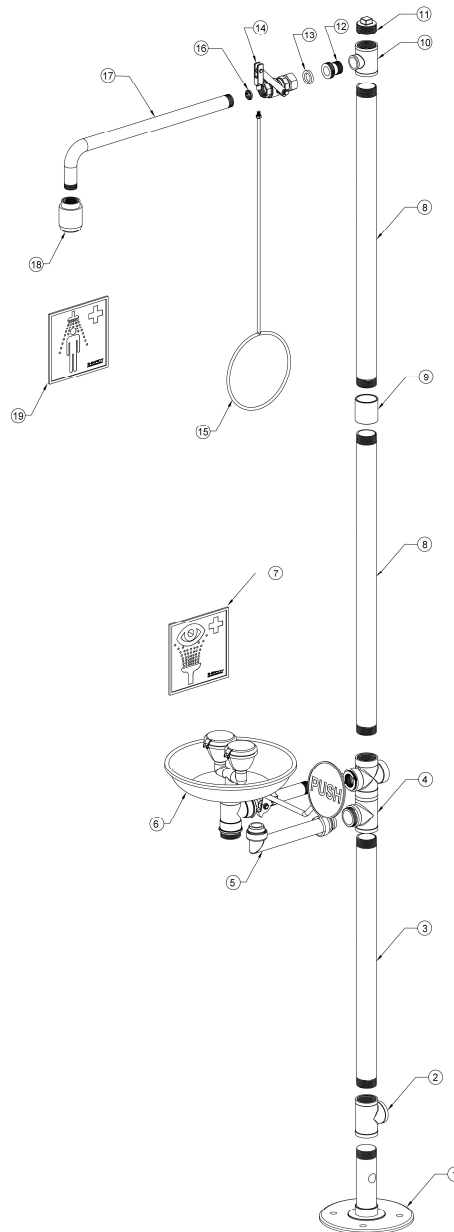
BR 837 595D

REV / DATE :

01/24

Description:

PremiumLine body safety shower with eye shower with stainless steel bowl, draining over the stand pipe, floor mounted



Part No.	Article No.	Quantity	Description	Material	Weight
1	FS1-095	1	Base plate round, stainless steel	Stainless steel AISI 316	2.42 kg
2	FST114-095	1	T-piece 1 1/4", stainless steel	Stainless steel AISI 316	0.30 kg
3	FSR-095-565	1	Pipe 1 1/4", length 565 mm, stainless steel	Stainless steel AISI 316	1.40 kg
4	FSKT-595	1	Combination of cross piece and T-piece, stainless steel	Stainless steel AISI 316	0.98 kg
5	F595-R1	1	Drain pipe, stainless steel	Stainless steel AISI 316	0.36 kg
6	BR 300 195	1	Safety eye shower with stainless steel bowl, stainless steel	Stainless steel AISI 304, AISI 316	3.20 kg
7	BR 205 010	1	Emergency sign, 100 x 100 mm	PVC film, self-adhesive	0.01 kg
8	FSR-095-665	2	Pipe 1 1/4", length 665 mm, stainless steel	Stainless steel AISI 316	1.70 kg
9	FSM114-095	1	Sleeve 1 1/4", stainless steel	Stainless steel AISI 316	0.21 kg
10	FST11434-095	1	T-piece with reduction 1 1/4" x 3/4", stainless steel	Stainless steel AISI 316	0.15 kg
11	FS8	1	Plug 1 1/4"	Stainless steel AISI 316	0.08 kg
12	XN1	1	Adapter XN1	Stainless steel AISI 316	0.06 kg
13	150040100	1	Gasket	Vulcan fiber	0.01 kg
14	F8276	1	Ball valve with lever and quick mounting system	Stainless steel AISI 316	0.38 kg
15	F801-095	1	Pull rod, stainless steel	Stainless steel AISI 316	0.41 kg
16	97BXX	1	Flow regulator 97B50 = 50 l/min (red) or 97B75 = 75 l/min (brown)	POM Hostaform C9021	0.01 kg
17	F81103	1	Bent pipe, stainless steel	Stainless steel AISI 316	0.94 kg
18	BR 010 395	1	High-performance shower head, stainless steel	Stainless steel AISI 316	0.62 kg
19	BR 205 105	1	Emergency sign, 150 x 150 mm	PVC film, self-adhesive	0.01 kg