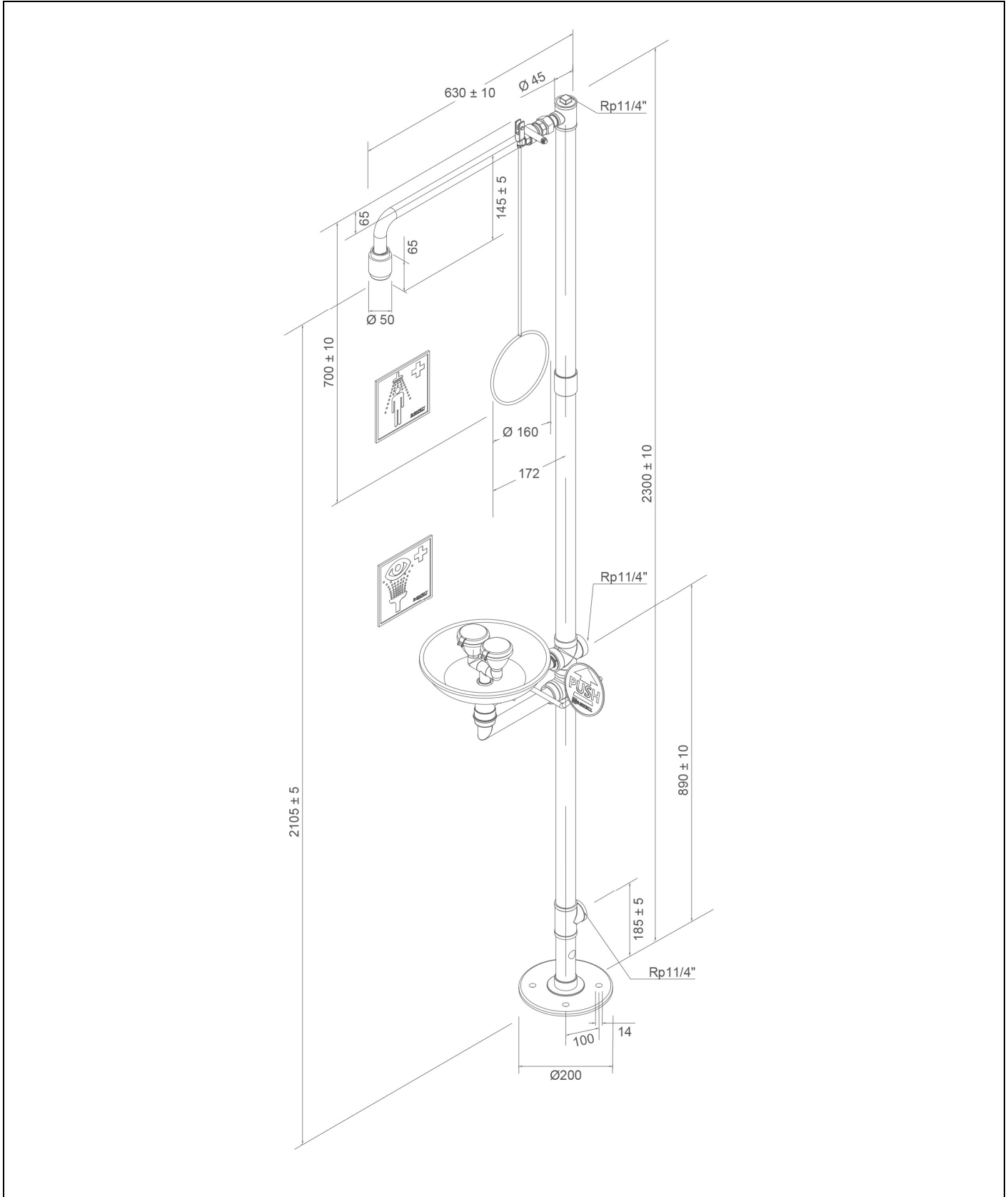


BR 837 585

ClassicLine body safety shower with eye shower with bowl, draining of the eye shower over the stand pipe, floor mounted



Technical description

ClassicLine body safety shower with eye shower with bowl, draining of the eye shower over the stand pipe, floor mounted

- including top and bottom water inlet 1 ¼" female for installation in circulation lines, plug 1 ¼" of stainless steel
- base plate with 4 mounting holes of stainless steel, chemical resistant green powder coated, diameter 200 mm
- stand pipe 1 ¼" of stainless steel three-part, chemical resistant green powder coated, with top and bottom water inlet 1 ¼" female, total height 2300 mm
- connection piece of stainless steel, for easy installation and alignment of the shower
- ball valve ¾" made of dezincification-resistant brass, with quick connect system and pull rod actuation, DIN-DVGW tested and certificated
- pull rod with ring handle of stainless steel, chemical resistant green powder coated, length 700 mm
- wall shower arm ¾" of stainless steel, chemical resistant green powder coated, projection 630 mm
- integrated automatic flow regulation 50 l/min. for a spray pattern acc. to the norms at a specified operating range of 1.5 to 3 bar dynamic water pressure
- high-performance shower head of chemical resistant plastics, black, with improved spray pattern, corrosion resistant, largely scale and maintenance-free, very robust, self-draining
- sign for body safety shower according to EN ISO 7010 und ASR A1.3, self-adhesive PVC-film, 150 x 150 mm, viewing distance 15 metre
- integrated ClassicLine safety eye shower with bowl
- connection pipe of stainless steel for easy installation and alignment of the shower, chemical resistant green powder coated
- ball valve ½" of stainless steel, with PUSH-lever actuation, DIN-DVGW tested and certificated
- big push plate made of steel, chemical resistant green powder coated, length 240 mm, with large signal "PUSH", luminescent according to DIN 67510
- integrated flow regulation 14 litre / minute for a standard-compliant jet pattern at a specified working range of 2.5 to 5 bar flow pressure
- high-performance spray heads for large-scale dispersion of water, with plastic spray plate, largely free of calcification, with rubber sleeves and sealed dust caps with folding mechanism, mounted over distributor fork
- bowl made of plastic, green, diameter 275 mm, water outlet 1 ¼" male
- sign for eye shower according to EN ISO 7010 und ASR A1.3, self-adhesive PVC-film, 100 x 100 mm, viewing distance 10 metre
- according to BGI/GUV-I 850-0, DIN 1988 and EN 1717
- according to ANSI Z358.1-2014, EN 15154-1:20006, EN 15154-2:2006 and EN 15154-5:2019
- DIN-DVGW tested and certificated

Manufacturer: B-SAFETY or equal
 Article-No.: BR 837 585

Technical specifications

Minimum flow pressure:	1.5 bar
Operating pressure:	1.5 to 3 bar
Flow rate body shower:	50 l/min
Flow rate eye shower:	14 l/min
Water inlet:	1 ¼" female
Water outlet:	1 ¼" male
Dimensions: (H x W x D):	2300 x 400 x 630 mm

Compliance with standards

- EN 15154-1:2006
- EN 15154-2:2006
- EN 15154-5:2019
- ANSI Z358.1-2014



Approvals

- DIN-DVGW, DVGW, NW-0416CL0425
- DIN-DVGW, DVGW, NW-0417CL0263
- GOST-R, Zertifikats-Nr. 0615463

Material overview	Material	Material description
High-performance shower head:	plastic POM	-
Ball valve:	Dezincification-resistant, DZR brass	CW724R
Flow regulator:	plastic POM	-
Piping:	stainless steel	AISI 304
Pull rod with ring handle:	stainless steel	AISI 201
T-pieces, sleeve, plug:	stainless steel	AISI 316
Base plate:	stainless steel	AISI 201
Sign for body safety shower:	PVC-foil	-
Eye shower:	stainless steel, plastic POM	AISI 304
Ball valve eye shower:	stainless steel	AISI 316
Bowl eye shower:	plastic ABS	-
Drain tube eye shower:	stainless steel	AISI 304
Flow regulator eye shower:	plastic POM	-
Spray head eye shower:	plastic POM, EPDM	-
Sign for eye shower:	PVC-foil	-

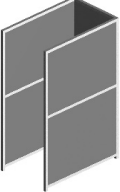


Product overview	
BR 837 585	ClassicLine body safety shower with eye shower with bowl, draining of the eye shower over the stand pipe, floor mounted - flow rate 50 l/min (hazard class I according to EN 15154-5:2019)
BR 837 585 / 75L	ClassicLine body safety shower with eye shower with bowl, draining of the eye shower over the stand pipe, floor mounted - flow rate 75 l/min / 20 GPM (hazard class II according to EN 15154-5:2019)
BR 837 585 / 110L	ClassicLine body safety shower with eye shower with bowl, draining of the eye shower over the stand pipe, floor mounted - flow rate 110 l/min (hazard class III according to EN 15154-5:2019)

Accessories for industrial safety showers

Product overview	Model	Material	Water inlet	Water outlet	Article-No.
	Safety sign "Eye Shower and Safety Shower" Inclusive fastening for mounting on the shower arm. Dimensions: 320 x 180 mm	PVC	-	-	BR 870 100
	Platform actuation for eye showers and safety showers, in addition to the standard actuation.	steel, galvanised	-	-	BR 870 200
	Platform actuation for eye showers and safety showers, in addition to the standard actuation.	stainless steel	-	-	BR 870 205

	Foot lever actuation for eye showers, in addition to the standard actuation.	plastic	-	-	BR 870 370
	Maintenance ball valve for eye showers and safety showers with removable trigger lever.	stainless steel	1 1/4" female	1 1/4" male	BR 830 950
	Thermostatic mixing valve for eye showers and safety showers, adjustment range 20 - 43°C, scald protection 43°C, flow rate 60 l/min at 2 bar flow pressure.	brass	3/4" male and 1" male	3/4" male and 1" male	BR 710 950
	Flow switch for eye showers and safety showers, protection degree IP 65, electrical supply with 1.5 m cable.	brass	1 1/4" female	1 1/4" female	BR 710 860
	Flow switch for eye showers and safety showers, protection degree IP 65, electrical supply with 1.5 m cable. EX-Zone 1 & 2.	brass	1 1/4" female	1 1/4" female	BR 710 860EX
	Switch for body safety shower alarm, complete pre-assembled on shower. EX-Zone 1 & 2.	plastic	-	-	BR 830 400
	Switch for eye shower alarm, complete pre-assembled on shower. EX-Zone 1 & 2.	plastic	-	-	BR 830 450
	Alarm system for eye showers & safety showers with siren-/flashlight combination. Prewired junction box inclusive electronic switch. Electrical supply: 230 V - 50 Hz	-	-	-	BR 015 800
	Anti-scald valve, switching points: open at 41°C, close at 35°C.	stainless steel	1/2" female	1/2" female	BR 830 970
	Frost protection valve, switching points: open at 1°C, close at 4°C.	stainless steel	1/2" female	1/2" female	BR 830 980
	Connection adapter 1 1/4", T-piece, for connection of the protection valves before the safety shower water connection.	stainless steel	1 1/4" female	1 1/4" male 1/2" male	BR 830 986
	Catch basin of stainless steel, with a GRP step grate for eye showers and safety showers. Dimensions: 1100 x 1100 x 150 mm	stainless steel, GRP	-	1 1/4" male	BR 830 700

www.b-safety.com

	<p>Housing for safety showers with a stainless steel frame and stainless steel side walls.</p> <p>Dimensions: 2450 x 1100 x 1100 mm</p>	<p>stainless steel</p>	<p>-</p>	<p>-</p>	<p>BR 830 905</p>
	<p>ANSI flange for eye showers and safety showers, B16.5, 150 LBS, form RF. Inclusive double nipple to 1 1/4" male.</p>	<p>stainless steel AISI 316</p>	<p>ANSI-flange 1 1/4"</p>	<p>1 1/4" male</p>	<p>BR 014 114</p>
	<p>DIN flange for eye showers and safety showers, PN 10, with mounting. Inclusive double nipple to 1 1/4" male.</p>	<p>stainless steel AISI 316</p>	<p>DIN-flange 1 1/4"</p>	<p>1 1/4" male</p>	<p>BR 016 114</p>