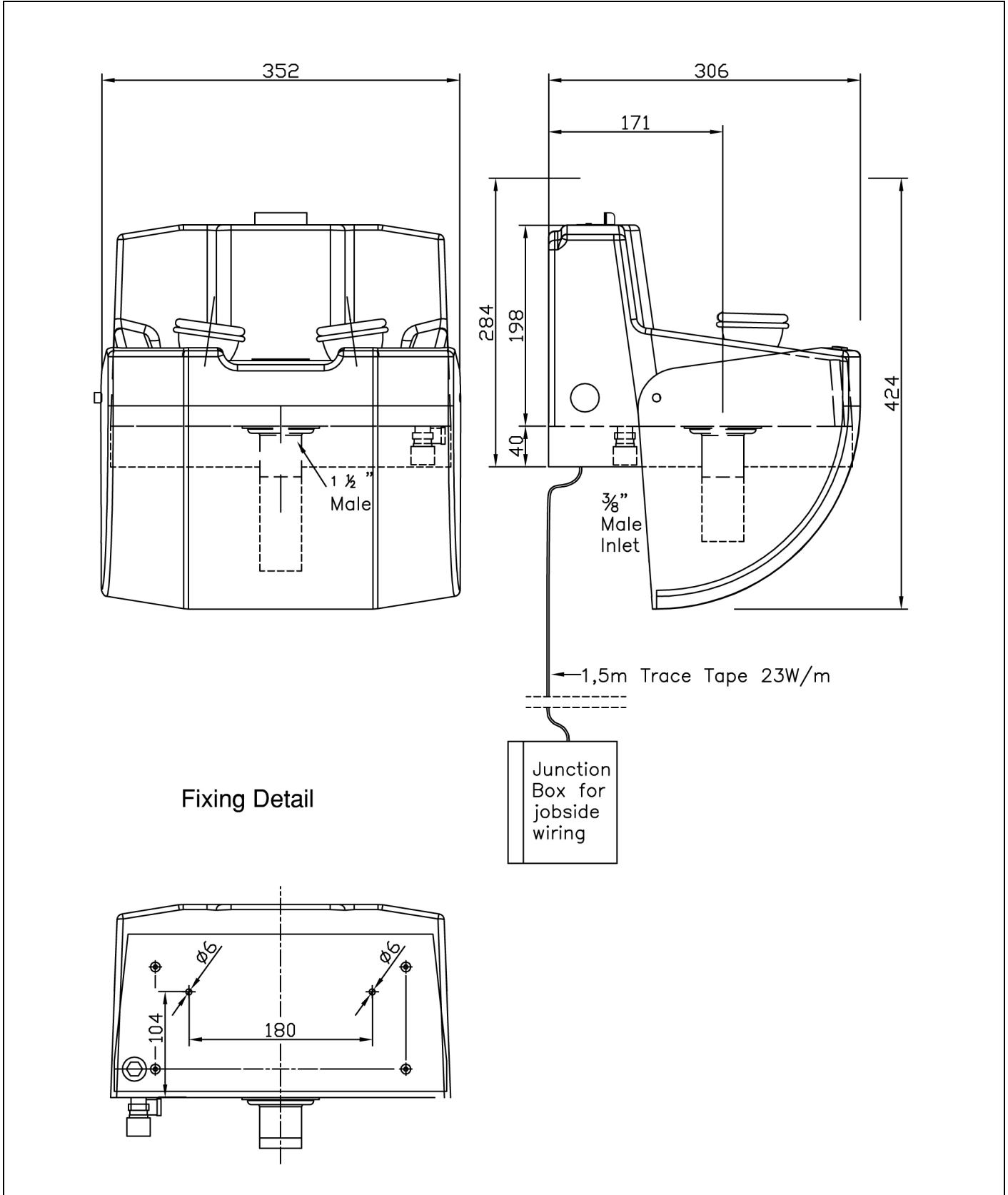


BR 826 095

PremiumLine frostprotected heated eye-/face wash unit with bowl and lid, wall mounted, exposed pipework



www.b-safety.com

Technical description

PremiumLine frostprotected heated eye-/face wash unit with bowl and lid, wall mounted, exposed pipework

- housing, lid and bowl made of UV and impact resistant ABS plastics, water outlet 1 ½" male
- integrated protective cover against dust
- actuation by pulling down the lid
- ball valve 3/8" of stainless steel, with lever actuation by lid, DIN-DVGW tested and certificated
- aerators made of brass with a very limited spray pattern, chrome-plated
- with integrated flow regulation valve 3/8" for setting the desired spray height and flow rate, water inlet 3/8" male
- insulation made of mineral wool shape package, non-flammable, according to DIN 4102
- heating by self-regulating trace tape, output 23 W/m, electrical supply 230 V - 50 Hz
- outdoor thermostat and power-saving-circuit (shutdown of trace tape at 14°C, switch on at 4°C)
- inclusive sign for eye shower according to EN ISO 7010 und ASR A1.3 on the lid, dimensions 170 x 170 mm, viewing distance 17 metre
- height 245 mm, width 356 mm, depth 305 mm
- mounting height (lower edge) 910 mm (± 200 mm)
- suitable for use in EX-Zones 1 & 2, all electrical parts explosion-proof, with risk assessment in accordance with industrial safety regulations concerning the non-electrical and electrical explosion protection
- according to BGI/GUV-I 850-0, DIN 1988 and EN 1717
- according to ANSI Z358.1-2014 and EN 15154-2:2006
- DIN-DVGW tested and certificated

Manufacturer: B-SAFETY or equal
Article-No.: BR 826 095

Technical specifications

Minimum flow pressure: 2.5 bar
 Operating pressure: 2.5 to 5 bar
 Flow rate: 14-20 l/min
 Water inlet: 3/8" male
 Water outlet: 1 ½" male
 Electrical supply: 230 V - 50 Hz
 Dimensions (H x W x D): 245 x 356 x 305 mm

Norm conformity

- EN 15154-2:2006
 - ANSI Z358.1-2014

Approvals

- DIN-DVGW, NW-0417CL0263

Material overview

Material overview	Material	Material description
Aerators:	brass, chrome-plated	CW617N
Flow regulator:	brass, chrome-plated	CW617N
Housing:	plastic ABS	-
Protective dust caps:	plastic ABS	-
Ball valve:	stainless steel	AISI 316
Sign for eye shower:	PVC-foil	-

Product overview

BR 826 095

PremiumLine frostprotected heated eye-/face wash unit with bowl and lid, wall mounted, exposed pipework

www.b-safety.com

Possible Options		Technical Specifications	EX-Model	
BR 870 200	Platform actuation for eye showers and safety showers, in addition to the standard actuation.	Material: Material: steel, hot-dip galvanised	N/A	<input type="checkbox"/>
BR 870 205	Platform actuation for eye showers and safety showers, in addition to the standard actuation.	Material: Stainless Steel	N/A	<input type="checkbox"/>
BR 870 350	Foot lever actuation for eye showers and safety showers.	Material: Stainless Steel	N/A	<input type="checkbox"/>
BR 870 450	Switch for eye shower alarm, complete pre-assembled on shower.	Material: Plastic	EX-Zones 1 & 2	<input type="checkbox"/>
BR 710 100	Maintenance ball valve for eye showers and safety showers with removable trigger lever.	Material: Brass Water inlet: 1/2" female	N/A	<input type="checkbox"/>
BR 710 940	Thermostatic mixing valve for eye showers, adjustment range 20 - 43°C, scald protection 43°C, flow rate max. 20 l/min.	Material: Brass Water inlet: 1/2" male and 3/4" male	N/A	<input type="checkbox"/>