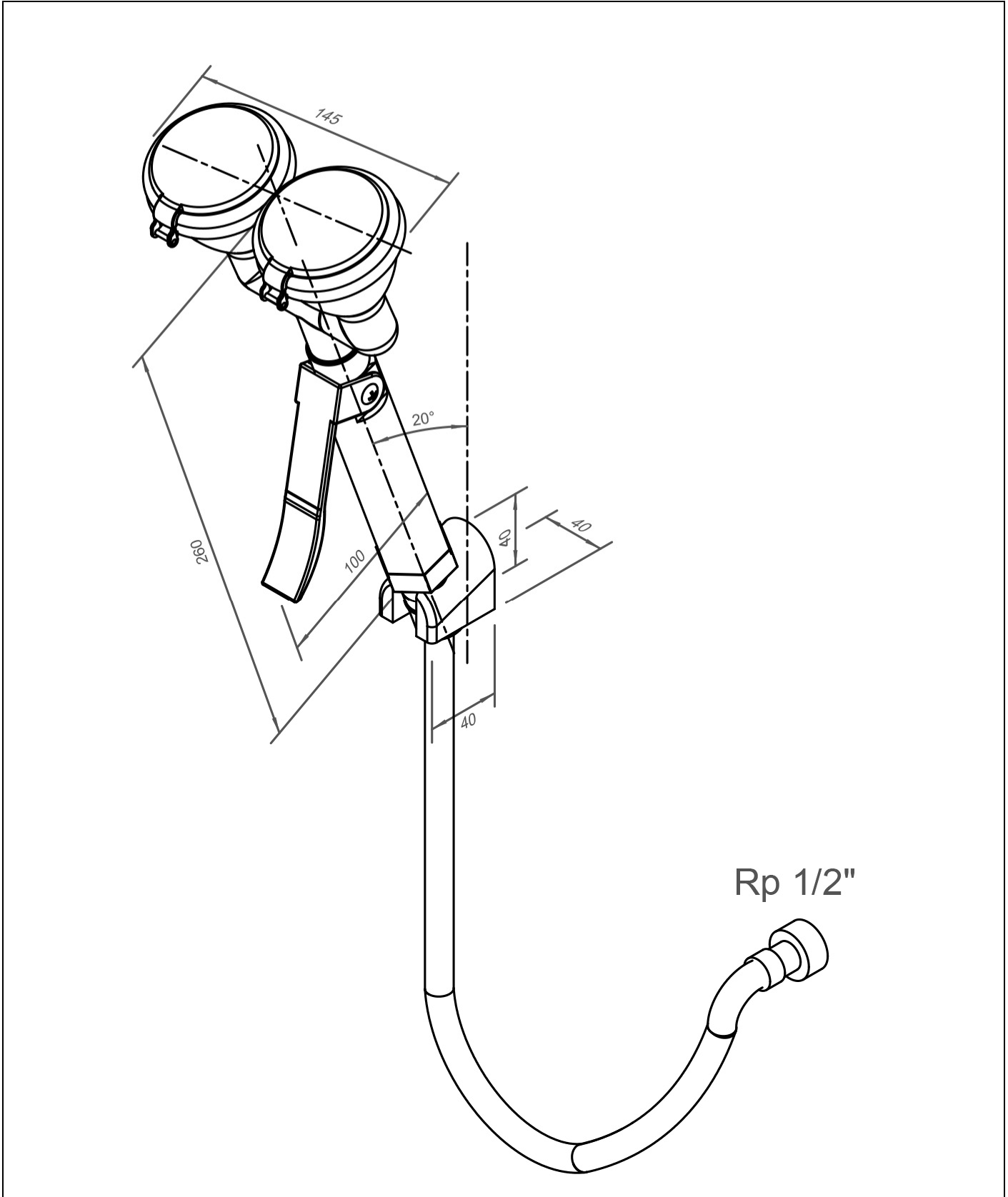


www.b-safety.com

BR 719 030

PremiumLine hand-held eye shower of stainless steel, with two spray heads, wall mounted



Technical description

PremiumLine hand-held eye shower of stainless steel, with two spray heads, wall mounted

- water-bearing parts made of stainless steel
- handle with big, adjusting push lever made of stainless steel, polished, valve not self-closing
- high-performance spray heads made of stainless for large-scale dispersion of water, polished, with plastic spray plate, largely free of calcification, with rubber sleeves and sealed dust caps with folding mechanism, mounted over distribution fork made of polished stainless steel
- integrated flow regulation 14 litre / minute for a standard-compliant jet pattern at a specified working range of 2.5 to 5 bar flow pressure
- integrated backflow preventer to protect the drinking water
- stainless steel covered hose, length 1.5 meter, water inlet 1/2" female, DIN-DVGW tested and certificated
- robust wall mounting bracket 20° made of stainless steel, polished, incl. 2x large mounting holes
- sign for eye shower according to EN ISO 7010 und ASR A1.3, self-adhesive PVC-film, 100 x 100 mm, viewing distance 10 metre
- mounting height 680 mm (± 200 mm)
- according to BGI/GUV-I 850-0, DIN 1988 and EN 1717
- according to ANSI Z358.1-2014 and EN 15154-2:2006
- DIN-DVGW tested and certificated

Manufacturer: B-SAFETY or equal
 Article-No.: BR 719 030

Technical specifications

Minimum flow pressure:	2.5 bar
Operating pressure:	2.5 to 5 bar
Flow rate:	14 l/min
Water inlet:	1/2" female
Dimensions (H x W x D):	260 x 145 x 100 mm

Norm conformity

- EN 15154-2:2006
- ANSI Z358.1-2014

Approvals

- DIN-DVGW, DVGW, NW-0417CL0263
- GOST-R, Zertifikats-Nr. 0615463

Material-overview

Material

Material description

water-bearing parts:	stainless steel	AISI 304
high-performance spray head:	stainless steel, plastic	AISI 304
shaped handle:	stainless steel	AISI 304
flow regulator:	POM plastic	-
hose cover:	stainless steel	AISI 304
hose fittings:	brass	CW617N, CW614N
wall mounting:	stainless steel	AISI 304
sign for eye shower:	PVC film	-

Product overview

BR 719 030	PremiumLine hand-held eye shower of stainless steel, with two spray heads, wall mounted
-------------------	---

Accessories for hand-held eye showers

Product overview	Model	Material	Water inlet	Water outlet	Article-No.
	Maintenance ball valve for hand-held eye showers with removable trigger lever.	brass	1/2" female	1/2" male	BR 710 100
	Hose brake / hose weight for hand-held eye showers. Dimensions: 60 x 40 mm	-	-	-	BR 710 380
	Connection hose for eye showers, stainless steel covered, in different lengths: 1000 mm => BR710410 1500 mm => BR710415 2000 mm => BR710420 3000 mm => BR710430	stainless steel	1/2" female	1/2" female	BR 710 410 BR 710 415 BR 710 420 BR 710 430
	Connection hose for eye showers, stainless steel covered. With an additional transparent PVC sheath for easy cleaning.	stainless steel / PVC	1/2" female	1/2" female	BR 710 475
	Flow switch for eye showers, protection degree IP 65, electrical supply with 1.5 m cable.	brass	1/2" female	1/2" female	BR 710 810
	Thermostatic mixing valve for eye showers, adjustment range 20 - 43°C, scald protection 43°C, flow rate max. 20 l/min.	brass	1/2" male and 3/4" male	1/2" male and 3/4" male	BR 710 940
	ClassicLine alarm system for eye showers & safety showers with siren-/flashlight combination. Prewired junction box inclusive electronic switch. Electrical supply: 230 V - 50 Hz	-	-	-	BR 015 800