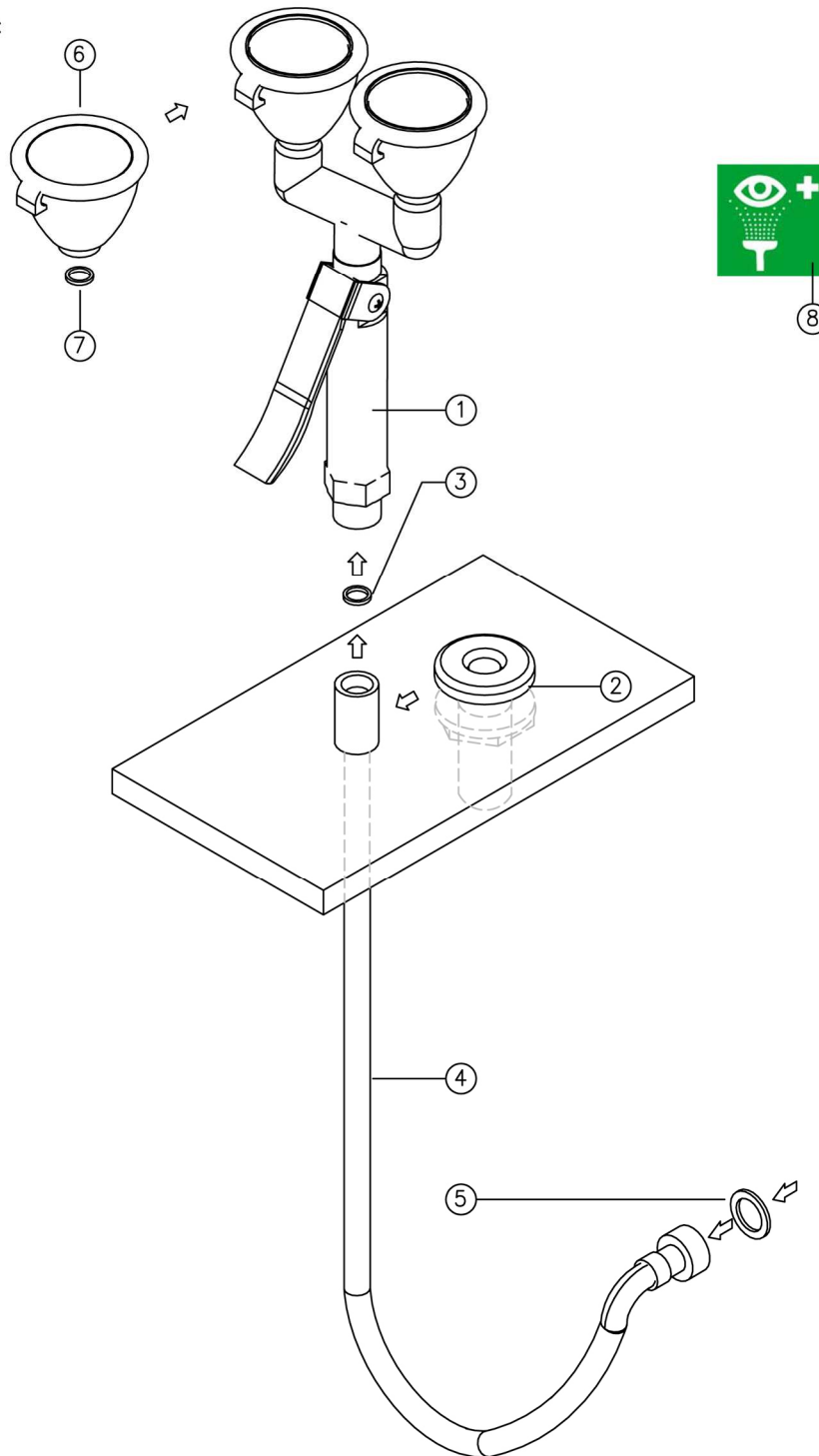




Detail:



Part No.	Article No.	Quantity	Description	Material	Weight
1	F719	1	Handle with two spray heads	Stainless steel AISI 304	1.07 kg
2	BR 710 500	1	Table mounting accessories	ABS, brass	0.25 kg
3	-	1	Flat gasket (included in the hose)	EPDM	0.01 kg
4	BR 710 415	1	Stainless steel covered hose, 1500 mm	Stainless steel AISI 304, brass	0.31 kg
5	-	1	Flat gasket (included in the hose)	EPDM	0.012 kg
6	BR 710 695	2	High-performance spray head	Stainless steel AISI 316, plastic	0.01 kg
7	96B001	2	Stainer gasket	Stainless steel AISI 304, TPE	0.01 kg
8	BR 205 010	1	Emergency sign, 100 x 100 mm	PVC film, self-adhesive	0.01 kg
-	97B-RUECK	1	Backflow preventer	POM, silicone	0.01 kg
-	97B14	1	Flow regulator 14 l/min (pink)	POM, EPDM	0.01 kg