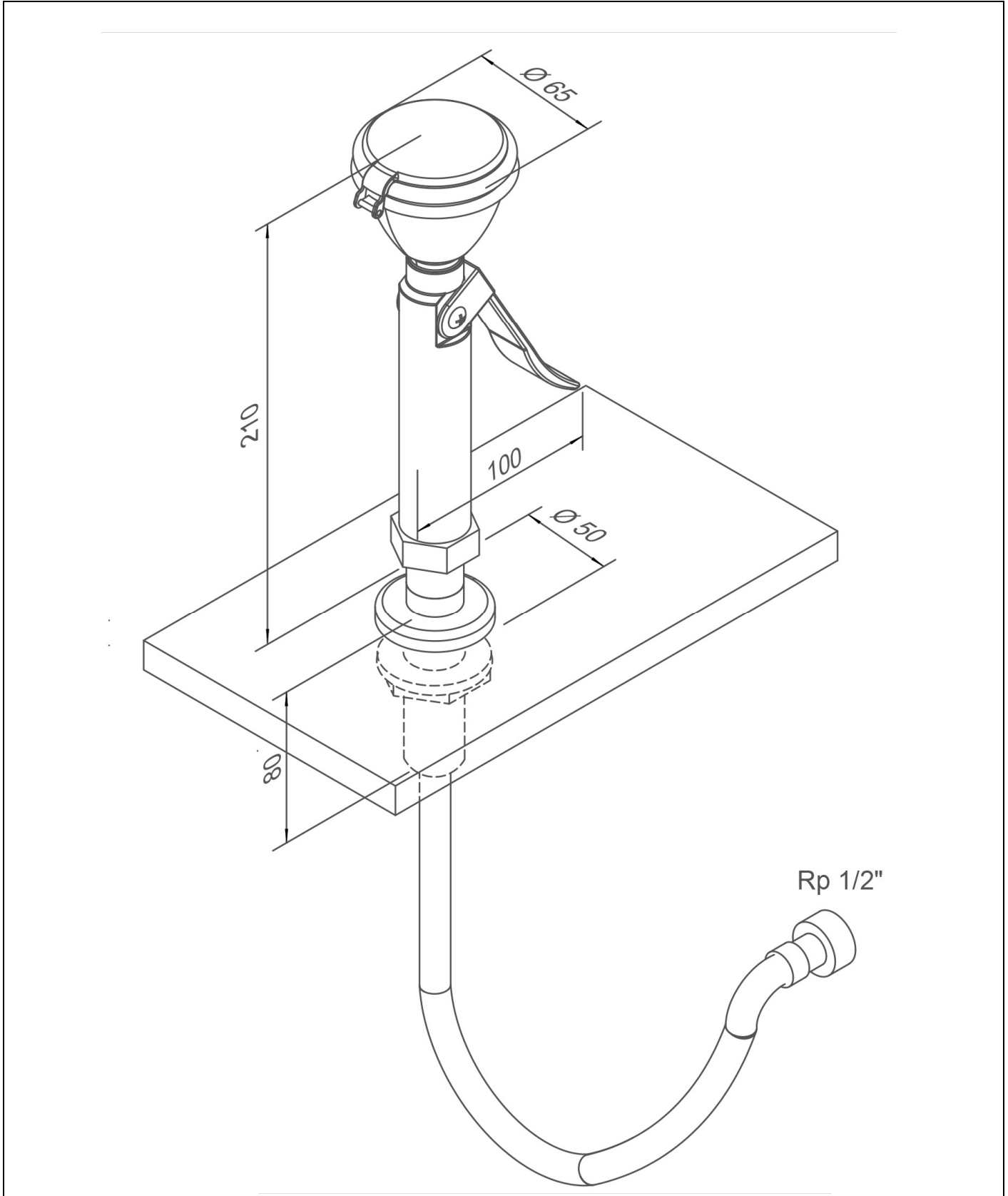


[www.b-safety.com](http://www.b-safety.com)

BR 718 020

PremiumLine hand-held eye shower of stainless steel, with one spray head, table mounted



**Technical description**

PremiumLine hand-held eye shower of stainless steel, with one spray head, table mounted

- water-bearing parts made of stainless steel
- handle with big, adjusting push lever made of stainless steel, polished, valve not self-closing
- high-performance spray head made of stainless steel for large-scale dispersion of water, with plastic spray plate, largely free of calcification, with rubber sleeve and sealed dust cap
- integrated flow regulation 7 litre / minute for a standard-compliant jet pattern at a specified working range of 1.5 to 5 bar flow pressure
- integrated backflow preventer to protect the drinking water
- stainless steel covered hose, length 1.5 meter, water inlet 1/2" female, DIN-DVGW tested and certificated
- table mounting accessories M28x1,5x80mm made of stainless steel, incl. fastening-parts kit with nut M28x1,5mm and 2 screws M5 for mounting difficult to access, stainless steel rosette polished, sealing to table surface with O-Ring
- sign for eye shower according to EN ISO 7010 und ASR A1.3, self-adhesive PVC-film, 100 x 100 mm, viewing distance 10 metre
- mounting height 770 mm (± 200 mm)
- according to BGI/GUV-I 850-0, DIN 1988 and EN 1717
- according to ANSI Z358.1-2014 and EN 15154-2:2006
- DIN-DVGW tested and certificated

Manufacturer: B-SAFETY or equal  
 Article-No.: BR 718 020

**Technical specifications**

Minimum flow pressure:	1.5 bar
Operating pressure:	1.5 to 5 bar
Flow rate:	7 l/min
Water inlet:	1/2" female
Dimensions (H x W x D):	210 x 65 x 100 mm

**Norm conformity**

- EN 15154-2:2006
- ANSI Z358.1-2014

**Approvals**

- DIN-DVGW, DVGW, NW-0417CL0263
- GOST-R, Zertifikats-Nr. 0615463

**Material-overview**

**Material**


**Material description**

water-bearing parts:	stainless steel	AISI 304
high-performance spray head:	stainless steel, plastic	AISI 304
shaped handle:	stainless steel	AISI 304
flow regulator:	POM plastic	-
hose cover:	stainless steel	AISI 304
hose fittings:	brass	CW617N, CW614N
table mounting:	Brass, plastic	-
sign for eye shower:	PVC film	-

**Product overview**

<b>BR 718 020</b>	PremiumLine hand-held eye shower of stainless steel, with one spray head, table mounted
-------------------	---

**Accessories for hand-held eye showers**

Product overview	Model	Material	Water inlet	Water outlet	Article-No.
	Maintenance ball valve for hand-held eye showers with removable trigger lever.	brass	1/2" female	1/2" male	<b>BR 710 100</b>
	Hose brake / hose weight for hand-held eye showers. Dimensions: 60 x 40 mm	-	-	-	<b>BR 710 380</b>
	Connection hose for eye showers, stainless steel covered, in different lengths: 1000 mm => BR710410 1500 mm => BR710415 2000 mm => BR710420 3000 mm => BR710430	stainless steel	1/2" female	1/2" female	<b>BR 710 410</b> <b>BR 710 415</b> <b>BR 710 420</b> <b>BR 710 430</b>
	Connection hose for eye showers, stainless steel covered. With an additional transparent PVC sheath for easy cleaning.	stainless steel / PVC	1/2" female	1/2" female	<b>BR 710 475</b>
	Flow switch for eye showers, protection degree IP 65, electrical supply with 1.5 m cable.	brass	1/2" female	1/2" female	<b>BR 710 810</b>
	Thermostatic mixing valve for eye showers, adjustment range 20 - 43°C, scald protection 43°C, flow rate max. 20 l/min.	brass	1/2" male and 3/4" male	1/2" male and 3/4" male	<b>BR 710 940</b>
	ClassicLine alarm system for eye showers & safety showers with siren-/flashlight combination. Prewired junction box inclusive electronic switch. Electrical supply: 230 V - 50 Hz	-	-	-	<b>BR 015 800</b>