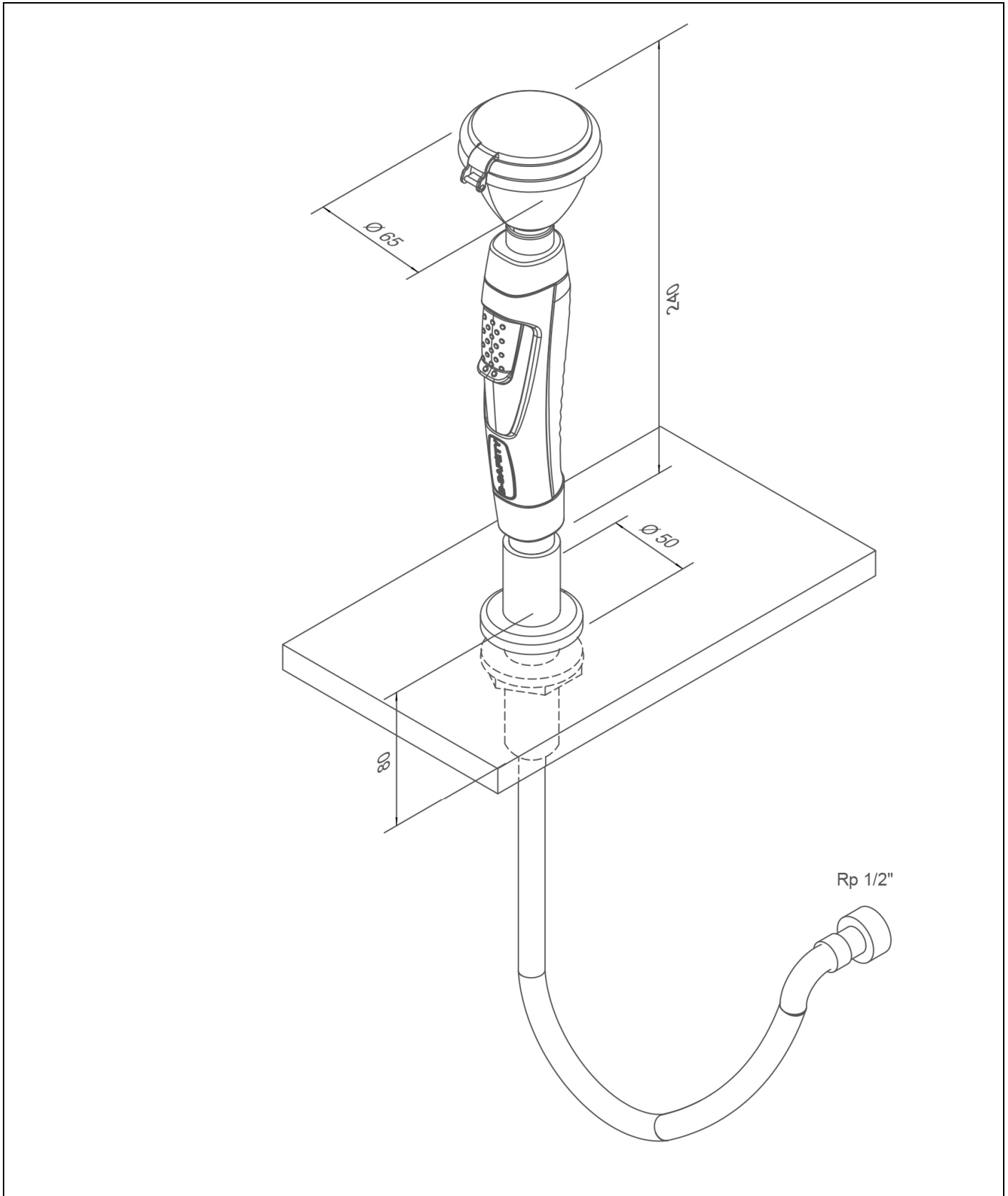


BR 712 020

ClassicLine hand-held eye shower with one spray head, table mounted



**Technical description**

ClassicLine hand-held eye shower with one spray head, table mounted

- ergonomically shaped handle with integrated, adjusting activation made of plastics, valve not self-closing
- high-performance spray head for large-scale dispersion of water, with plastic spray plate, largely free of calcification, with rubber sleeves and sealed dust caps
- integrated flow regulation 7 litre / minute for a standard-compliant jet pattern at a specified working range of 1.5 to 5 bar flow pressure
- integrated backflow preventer to protect the drinking water
- stainless steel covered hose, length 1.5 meter, water inlet 1/2" female, DIN-DVGW tested and certificated
- table mounting accessories M28x1,5x80mm made of stainless steel, incl. fastening-parts kit with nut M28x1,5mm and 2 screws M5 for mounting difficult to access, rosette plastic, green, sealing to table surface with O-Ring
- sign for eye shower according to EN ISO 7010 und ASR A1.3, self-adhesive PVC-film, 100 x 100 mm, viewing distance 10 metre
- mounting height 770 mm (± 200 mm)
- according to BGI/GUV-I 850-0, DIN 1988 and EN 1717
- according to ANSI Z358.1-2014 and EN 15154-2:2006
- DIN-DVGW tested and certificated

Manufacturer: B-SAFETY or equal  
 Article-No.: BR 712 020

**Technical specifications**

|                         |                  |
|-------------------------|------------------|
| Minimum flow pressure:  | 1.5 bar          |
| Operating pressure:     | 1.5 to 5 bar     |
| Flow rate:              | 7 l/min          |
| Water inlet:            | 1/2" female      |
| Dimensions (H x W x D): | 240 x 65 x 65 mm |

**Norm conformity**

- EN 15154-2:2006
- ANSI Z358.1-2014

**Approvals**

- DIN-DVGW, DVGW, NW-0417CL0263
- GOST-R, Zertifikats-Nr. 0615463

**Material-overview**

**Material**

**Material description**

|                              |                                      |                |
|------------------------------|--------------------------------------|----------------|
| water-bearing parts:         | Dezincification-resistant, DZR brass | CW724R         |
| high-performance spray head: | POM plastic                          | -              |
| shaped handle:               | plastic                              | -              |
| flow regulator:              | POM plastic                          | -              |
| hose cover:                  | stainless steel                      | AISI 304       |
| hose fittings:               | brass                                | CW617N, CW614N |
| table mounting:              | brass, plastic                       | -              |
| sign for eye shower:         | PVC film                             | -              |

**Product overview**

**BR 712 020**

ClassicLine hand-held eye shower with one spray head, table mounted

**Accessories for hand-held eye showers**

| Product overview   | Model  | Material              | Water inlet             | Water outlet            | Article-No.  |
|--|--|-----------------------|-------------------------|-------------------------|--|
|    | Maintenance ball valve for hand-held eye showers with removable trigger lever.   | brass                 | 1/2" female             | 1/2" male               | <b>BR 710 100</b>  |
|    | Hose brake / hose weight for hand-held eye showers.<br>Dimensions: 60 x 40 mm  | -                     | -                       | -                       | <b>BR 710 380</b>  |
|   | Connection hose for eye showers, stainless steel covered, in different lengths:<br>1000 mm => BR710410<br>1500 mm => BR710415<br>2000 mm => BR710420<br>3000 mm => BR710430          | stainless steel       | 1/2" female             | 1/2" female             | <b>BR 710 410</b><br><b>BR 710 415</b><br><b>BR 710 420</b><br><b>BR 710 430</b> |
|  | Connection hose for eye showers, stainless steel covered. With an additional transparent PVC sheath for easy cleaning.   | stainless steel / PVC | 1/2" female             | 1/2" female             | <b>BR 710 475</b>  |
|  | Flow switch for eye showers, protection degree IP 65, electrical supply with 1.5 m cable.  | brass                 | 1/2" female             | 1/2" female             | <b>BR 710 810</b>  |
|  | Thermostatic mixing valve for eye showers, adjustment range 20 - 43°C, scald protection 43°C, flow rate max. 20 l/min.   | brass                 | 1/2" male and 3/4" male | 1/2" male and 3/4" male | <b>BR 710 940</b>  |
|  | ClassicLine alarm system for eye showers & safety showers with siren-/flashlight combination. Prewired junction box inclusive electronic switch.<br>Electrical supply: 230 V - 50 Hz | -                     | -                       | -                       | <b>BR 015 800</b>  |