



B-SAFETY
PROFESSIONAL SAFETY SOLUTIONS

Article No.:

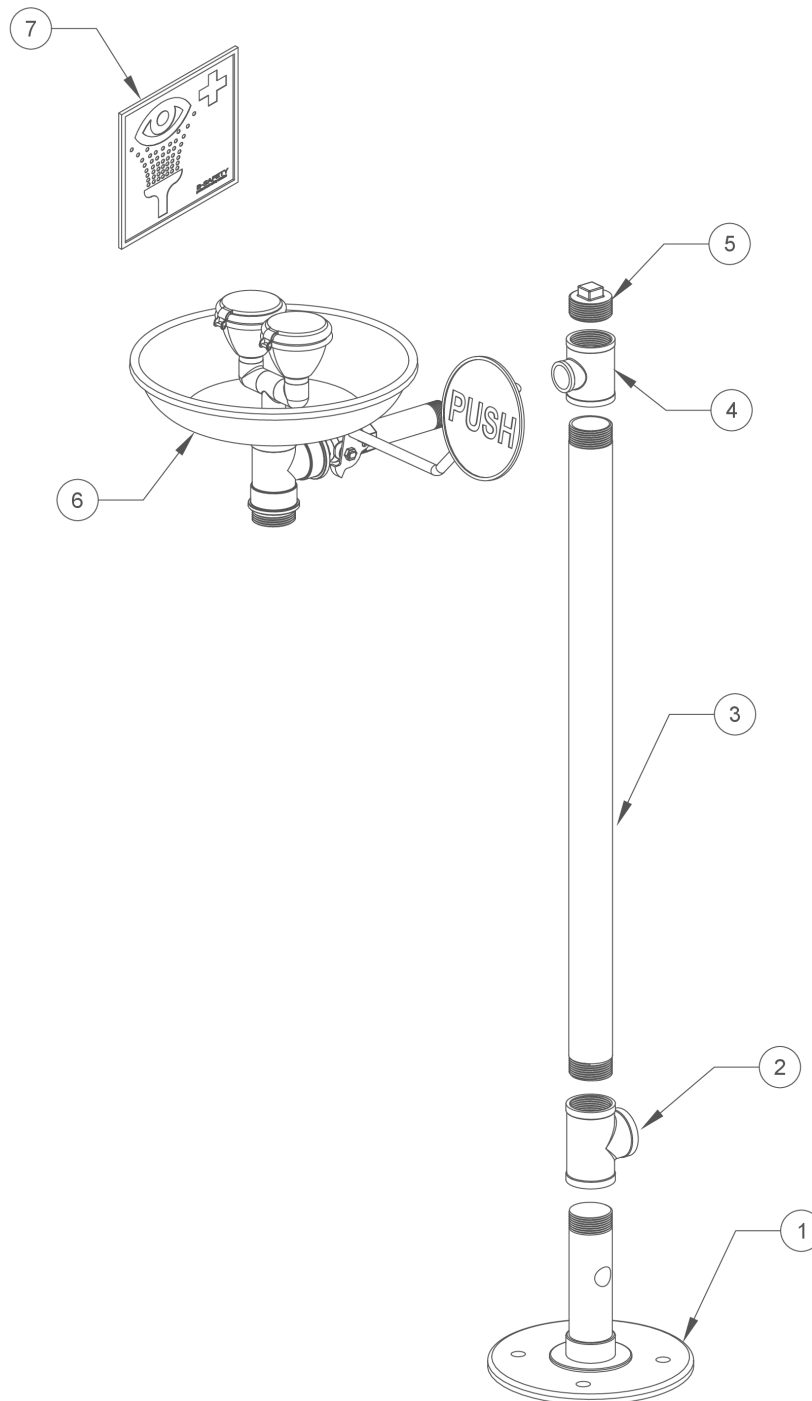
BR 305 095D

REV / DATE :

05/22

Description:

PremiumLine freestanding safety eye shower with stainless steel bowl



Part No.	Article No.	Quantity	Description	Material	Weight
1	FS1-095	1	Base plate round, stainless steel	Stainless steel AISI 316	2.42 kg
2	FST114-095	1	T-piece 1 1/4", stainless steel	Stainless steel AISI 316	0.30 kg
3	FSR-095-680	1	Pipe 1 1/4", length 680 mm, stainless steel	Stainless steel AISI 316	1.80 kg
4	FST11434-095	1	T-piece with reduction 1 1/4" x 3/4", stainless steel	Stainless steel AISI 316	0.15 kg
5	FS8	1	Plug 1 1/4"	Stainless steel AISI 316	0.08 kg
6	BR 300 195	1	Safety eye shower with bowl, stainless steel	Stainless steel AISI 316	3.20 kg
7	BR 205 010	1	Emergency sign, 100 x 10 mm	PVC film, self-adhesive	0.01 kg