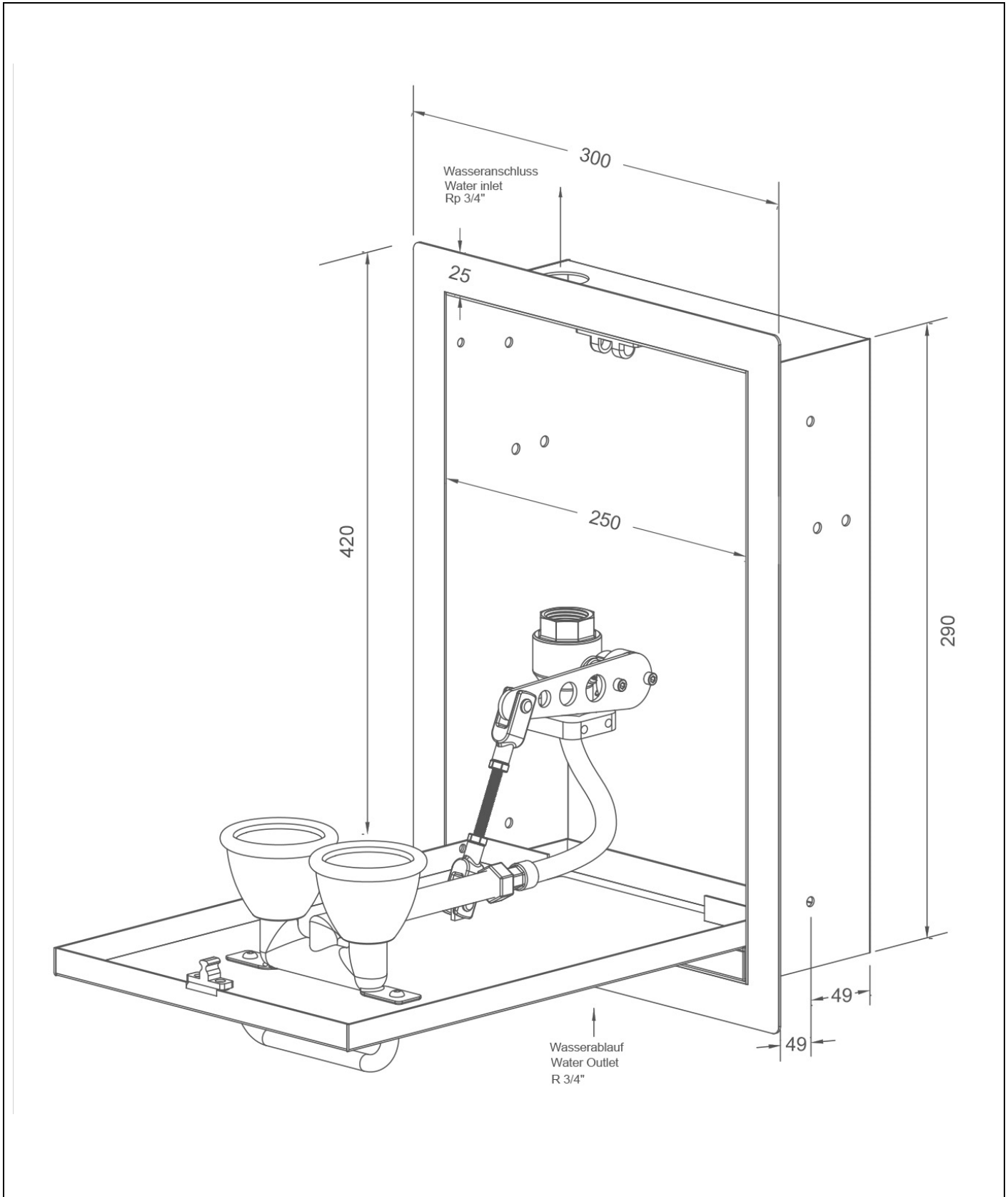


BR 270 095

PremiumLine safety eye shower in stainless steel cabinet, wall mounted, recessed version



Technical description

PremiumLine safety eye shower in stainless steel cabinet, wall mounted, recessed version

- housing of stainless steel, polished, recessed wall mounting, dimensions (H x W x D): 425 x 305 x 100 mm, mounting hole dimension (H x W): 380 x 260 mm
- integrated swivel door of stainless steel, polished, with simultaneous triggering of the eye shower when the door is swung down
- Sign "OPEN" for confusion-free use in emergencies, orange, photoluminescent according to DIN 67510
- ball valve 3/4" of stainless steel, with swivel door actuation, DIN-DVGW tested and certificated
- high-performance spray heads made of stainless for large-scale dispersion of water, polished, with plastic spray plate, low calcification, incl rubber sleeves and sealed dust caps, mounted over distributor fork
- integrated flow regulation 14 litre / minute for a standard-compliant jet pattern at a specified working range of 2.5 to 5 bar flow pressure
- inclusive sign for eye shower according to EN ISO 7010 und ASR A1.3 on the swivel door, self-adhesive PVC-film, 100 x 100 mm, viewing distance 10 metre
- height 425 mm, width 305 mm, depth 100 mm
- mounting hole dimension 380 x 260 mm
- mounting height 865 mm (± 200 mm)
- according to BGI/GUV-I 850-0, DIN 1988 and EN 1717
- according to ANSI Z358.1-2014 and EN 15154-2:2006
- DIN-DVGW tested and certificated

Manufacturer: B-SAFETY or equal
Article-No.: BR 270 095

Technical specifications

Minimum flow pressure:	2.5 bar
Operating pressure:	2.5 to 5 bar
Flow rate:	14 l/min
Water inlet:	3/4" female
Water outlet:	3/4" male
Dimensions (H x W x D):	425 x 305 x 100 mm

Compliance with standards

- EN 15154-2:2006
- ANSI Z358.1-2014

Approvals

- DIN-DVGW, NW-0417CL0263
- GOST-R, Zertifikats-Nr. 0615463

Material overview

Material






Material description

Material overview	Material	Material description
High-performance shower head:	stainless steel	AISI 316
U-distributor:	stainless steel	AISI 316
Ball valve:	stainless steel	AISI 316
Housing, swivel door:	stainless steel	AISI 304
Flow regulator:	plastic POM	-
Hose cover:	stainless steel	AISI 304
Hose fittings:	brass	CW617N, CW614N
Piping, adapter:	stainless steel	AISI 316
Sign for eye shower:	PVC-foil	-

www.b-safety.com

Product overview	
BR 270 095	PremiumLine safety eye shower in stainless steel cabinet, wall mounted, recessed version

Accessories for safety eye showers

Product overview	Model	Material	Water inlet	Water outlet	Article-No.
	Maintenance ball valve for hand-held eye showers with removable trigger lever.	brass	1/2" female	1/2" male	BR 710 100
	Connection hose for eye showers, stainless steel covered, in different lengths: 1000 mm => BR710410 1500 mm => BR710415 2000 mm => BR710420 3000 mm => BR710430	stainless steel	1/2" female	1/2" female	BR 710 410 BR 710 415 BR 710 420 BR 710 430
	Thermostatic mixing valve for eye showers, adjustment range 20 - 43°C, scald protection 43°C, flow rate max. 20 l/min.	brass	1/2" male and 3/4" male	1/2" male and 3/4" male	BR 710 940
	Flow switch for eye showers, protection degree IP 65, electrical supply with 1.5 m cable.	brass	1/2" female	1/2" female	BR 710 810
	Alarm system for eye showers & safety showers with siren-/flashlight combination. Prewired junction box inclusive electronic switch. Electrical supply: 230 V - 50 Hz	-	-	-	BR 015 800