



B-SAFETY
PROFESSIONAL SAFETY SOLUTIONS

Article No.:

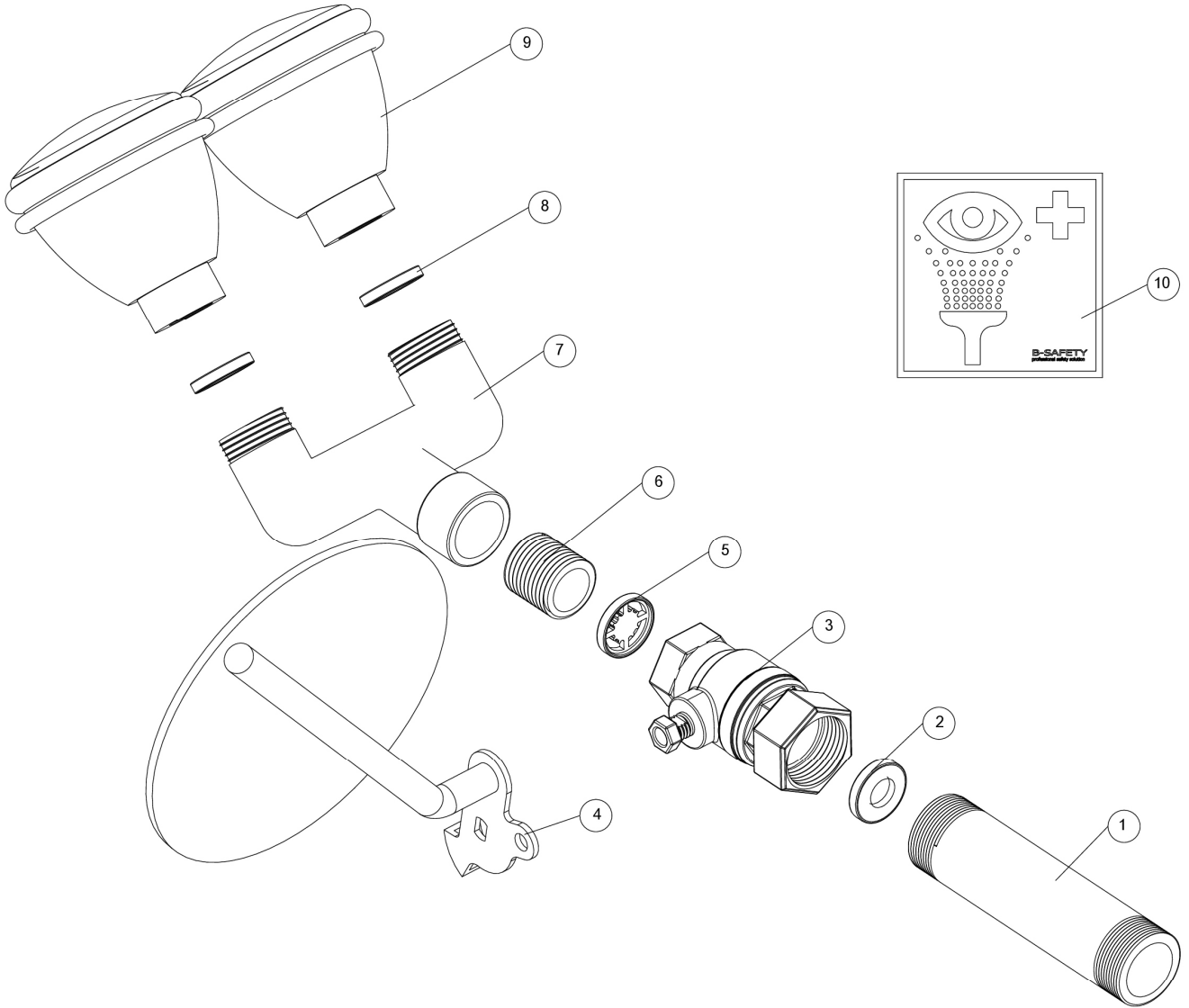
BR 210 095D

REV / DATE :

05/22

Description:

PremiumLine safety eye shower with two spray heads 45°, wall mounted



Part No.	Article No.	Quantity	Description	Material	Weight
1	F81301-120	1	Connection pipe 1/2", stainless steel	Stainless steel AISI 316	0.12 kg
2	150410100	1	Gasket 3/4", narrow	Vulcanised fibre	0.01 kg
3	F8263	1	Ball valve with quick mounting system, 1/2"	Stainless steel AISI 316	0.2 kg
4a	G1-A-ES	1	Lever for eye shower, short, stainless steel	Stainless steel AISI 316	0.3 kg
4b	F2120	1	Sign "PUSH" for safety eye showers	PVC film, self-adhesive, luminescent	0.01 kg
5	97B14	1	Flow regulator 14 l/min (pink)	POM, EPDM	0.01 kg
6	DE11-19	1	Double nipple / threaded pipe 1/2", special version	Stainless steel AISI 316	0.1 kg
7	F018-ES	1	U-connector for eye showers, 45° angled, stainless steel	Stainless steel AISI 316	0.2 kg
8	96B001	1	Stainer gasket	Stainless steel AISI 304, TPE	0.01 kg
9	BR 710 695	2	High-performance spray head	Stainless steel AISI 316, EPDM	0.1 kg
10	BR 205 010	2	Emergency sign, 100 x 100 mm	PVC film, self-adhesive	0.01 kg