



**B-SAFETY**  
PROFESSIONAL SAFETY SOLUTIONS

Article No.:

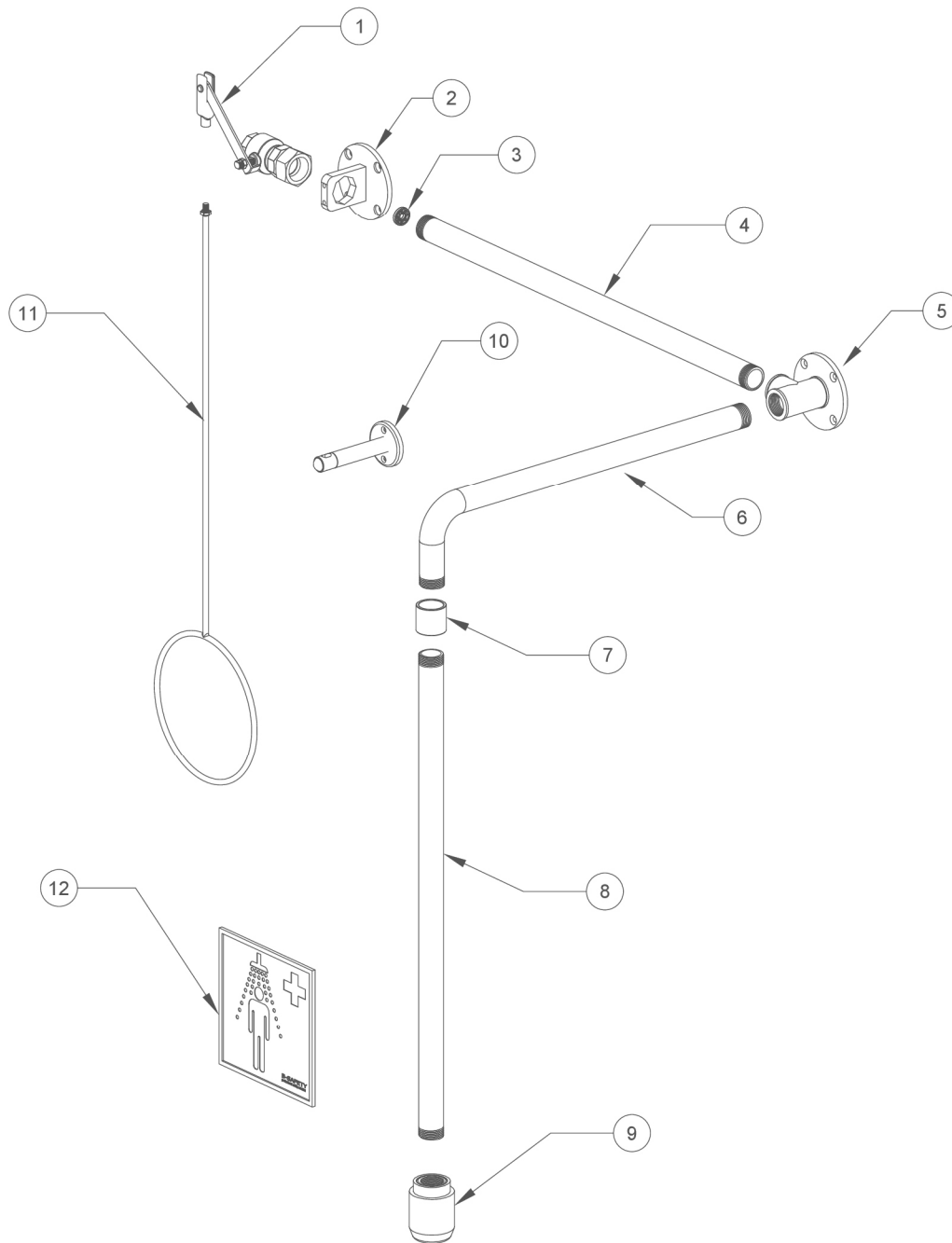
**BR 084 185D**

REV / DATE :

**08/22**

Description:

**ClassicLine body safety shower, above door installation 2850 mm, exposed pipework**



Part No.	Article No.	Quantity	Description	Material	Weight
1	F8271	1	Ball valve with lever for over-door mounting, green	Dezincification-resistant brass CW724R, stainless steel AISI 201	0.38 kg
2	F80201	1	Valve holder on wall flange, green	Stainless steel AISI 304	0.35 kg
3	97BXX	1	Flow regulator 97B50 = 50 l/min (red) or 97B75 = 75 l/min (brown)	POM Hostaform C9021	0.01 kg
4, 8	F81201	1+1	Straight pipe, green	Stainless steel AISI 304	0.84 kg
5	F81701	1	Wall flange 2-fold, green	Stainless steel AISI 304	0.47 kg
6	F81101	1	Bent pipe, green	Stainless steel AISI 304	0.94 kg
7	C28-001	1	Connection sleeve, green	Stainless steel AISI 304	0.06 kg
9	BR 010 365	1	High-performance shower head, black	POM Hostaform C13021	0.10 kg
10	F81901-80	1	Pull rod holder, green	Stainless steel AISI 201, AISI 304	0.16 kg
11	F801-085	1	Pull rod, green	Stainless steel AISI 201	0.41 kg
12	BR 205 105	1	Emergency sign, 150 x 150 mm	PVC film, self-adhesive	0.01 kg