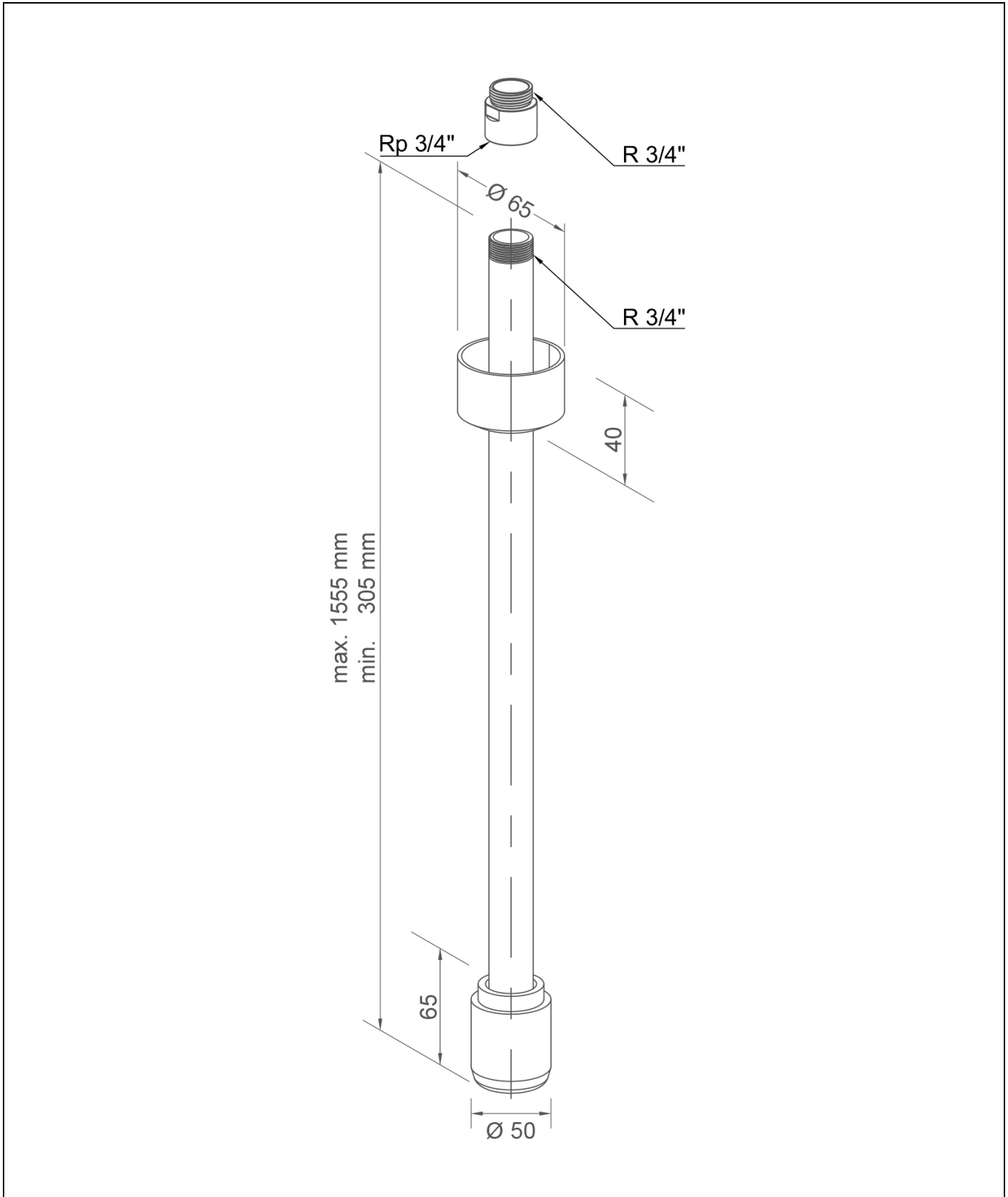


BR 075 095 / V

PremiumLine variable safety shower arm, ceiling mounted



www.b-safety.com

Technical description

PremiumLine variable safety shower arm, ceiling mounted

- ceiling shower arm ¾" made of stainless steel, polished, headroom variable according to specification (min. 305 mm - max. 1555 mm) , water inlet ¾" male
- push-on rosette of polyamide to cover the installation
- integrated automatic flow regulation 50 l/min. for a spray pattern acc. to the norms at a specified operating range of 1.5 to 3 bar dynamic water pressure
- high-performance shower head of stainless steel, polished, with improved spray pattern, corrosion resistant, largely scale and maintenance-free, very robust, self-draining
- sign for body safety shower according to DIN EN ISO 7010 und ASR A1.3, self-adhesive PVC-film, 150 x 150 mm, viewing distance 15 metre
- mounting height according to the standards listed below: lower edge of high-performance shower head 2200 mm (± 100 mm) height above floor level
- according to BGI/GUV-I 850-0, DIN 1988 and DIN EN 1717
- according to ANSI Z358.1-2014, DIN EN 15154-1:2006 and DIN EN 15154-5:2019
- DIN-DVGW tested and certificated

Manufacturer: B-SAFETY or equal
Article-No.: BR 075 095/V

Technical specifications

Material:	stainless steel
Surface:	polished
Headroom:	305-1555 mm
Installation height:	variable
Operating pressure:	1.5 to 3 bar
Flow rate:	50 l/min
Water inlet:	¾" male

Norm conformity

- DIN EN 15154-1:2006
- DIN EN 15154-5:2019
- ANSI Z358.1-2014

Approvals

- DIN-DVGW, DVGW, NW-0417CL0263
- GOST-R, Zertifikats-Nr. 0615463

Material-overview

	Material	Material description
High-performance shower head:	stainless steel	AISI 316
Flow regulator:	plastic POM	-
Piping:	stainless steel	AISI 316
Push-on rosette:	stainless steel	AISI 304
Sign for body safety shower:	PVC-foil	-




Mounting-Instructions

For an installation in accordance with DIN EN 15154-1:2006 it must be ensured, that the safety shower installation is self-draining between valve and shower head.

www.b-safety.com

Product overview	
BR 075 095 / V	PremiumLine variable safety shower arm, ceiling mounted - flow rate 50 l/min (hazard class I according to DIN EN 15154-5:2019)
BR 075 095 / V75L	PremiumLine variable safety shower arm, ceiling mounted - flow rate 75 l/min / 20 GPM (hazard class II according to DIN EN 15154-5:2019)
BR 075 095 / V110L	PremiumLine variable safety shower arm, ceiling mounted - flow rate 110 l/min (hazard class III according to DIN EN 15154-5:2019)

Accessories for safety shower arms

Product overview	Model	Material	Water inlet	Water outlet	Article-No.
	Flow switch for eye showers, protection degree IP 65, electrical supply with 1.5 m cable.	Brass	3/4" female	3/4" female	BR 710 800
	Flow switch for eye showers & safety showers, protection degree IP 65, electrical supply with 1.5 m cable. Suitable for EX zones 1 & 2. Water connection: 3/4" female.	Brass	3/4" female	3/4" female	BR 710 800EX
	ClassicLine alarm system for eye showers & safety showers with siren-/flashlight combination. Prewired junction box inclusive electronic switch. Electrical supply: 230 V - 50 Hz	-	-	-	BR 015 800