



**B-SAFETY**  
PROFESSIONAL SAFETY SOLUTIONS

Article No.:

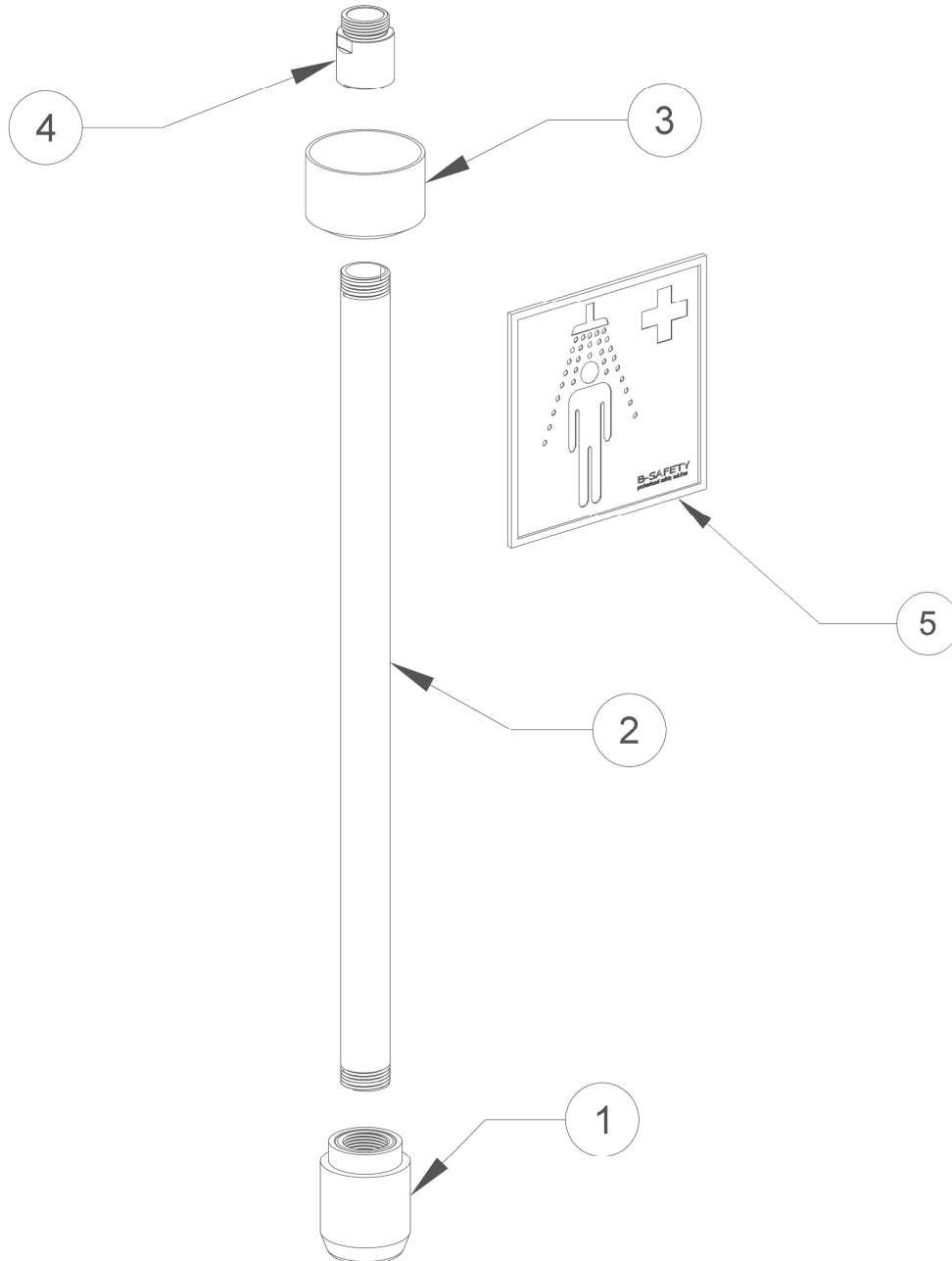
**BR 075 085D**

REV / DATE :

**12/23**

Description:

**ClassicLine body safety shower without valve,  
ceiling mounted**



Part No.	Article No.	Quantity	Description	Material	Weight
1	BR 010 365	1	High-performance shower head, black	POM Hostaform C13021	0.10 kg
2	F81201	1	Straight pipe, green	Stainless steel AISI 304	0.84 kg
3	F81401-GR	1	Push-On rosette, green	Polypropylene (PP)	0.02 kg
4	BR 014 4XX	1	Flow regulator BR014450=50 l/min (red) or BR014475=75 l/min (brown)	Stainless steel AISI 304, POM Hostaform	0.07 kg
5	BR 205 105	1	Emergency sign, 150 x 150 mm	PVC film, self-adhesive	0.01 kg