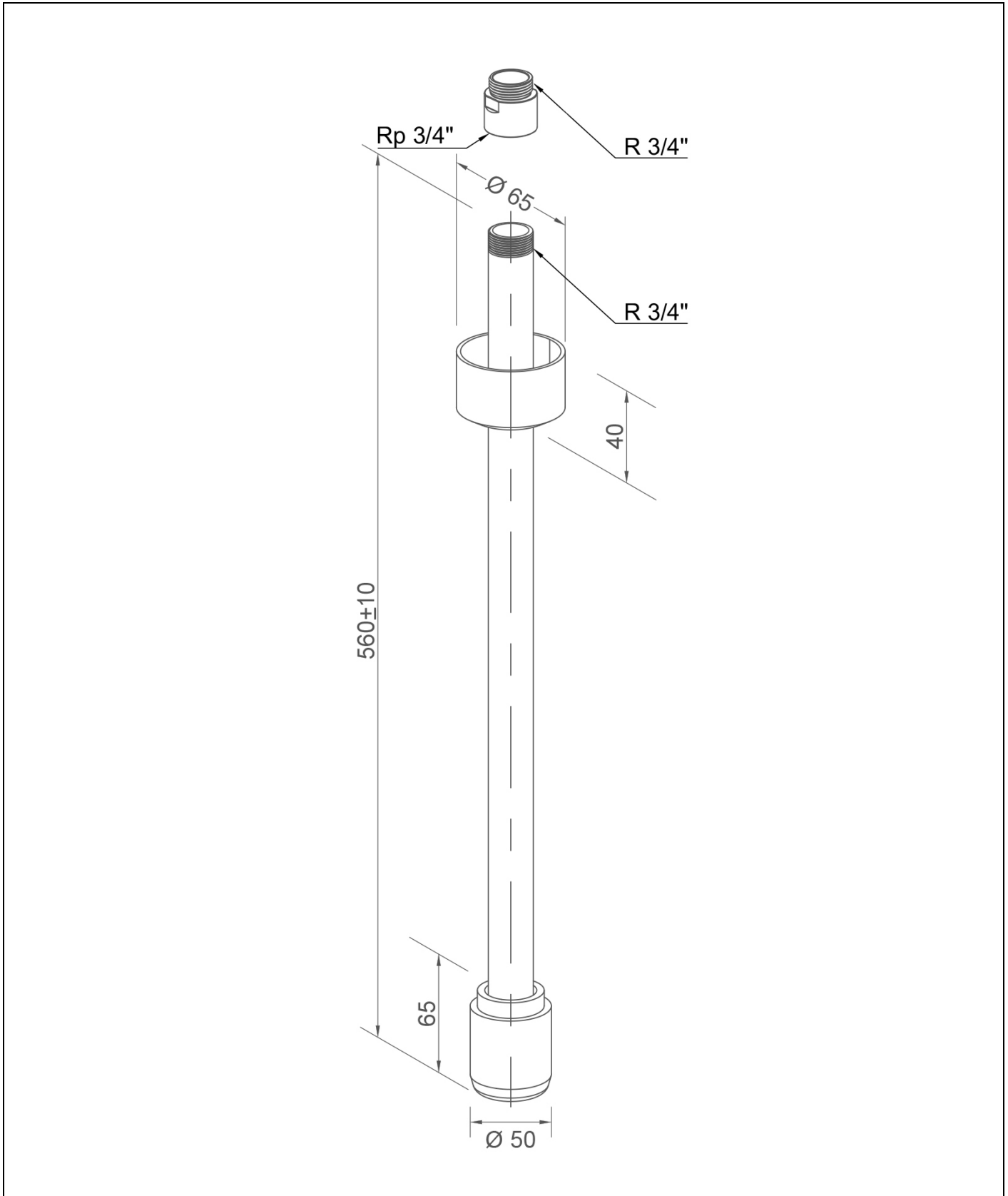


BR 075 085 ClassicLine safety shower arm, ceiling mounted



[www.b-safety.com](http://www.b-safety.com)

**Technical description**

ClassicLine safety shower arm, ceiling mounted

- ceiling shower arm ¾" made of stainless steel, chemical resistant green powder coated, headroom 560 mm, water inlet ¾" male
- push-on rosette of polyamide to cover the installation
- integrated automatic flow regulation 50 l/min. for a spray pattern acc. to the norms at a specified operating range of 1.5 to 3 bar dynamic water pressure
- high-performance shower head of chemical resistant plastics, black, with improved spray pattern, corrosion resistant, largely scale and maintenance-free, very robust, self-draining
- sign for body safety shower according to DIN EN ISO 7010 und ASR A1.3, self-adhesive PVC-film, 150 x 150 mm, viewing distance 15 metre
- mounting height 2760 mm (± 100 mm)
- according to BGI/GUV-I 850-0, DIN 1988 and DIN EN 1717
- according to ANSI Z358.1-2014, DIN EN 15154-1:2006 and DIN EN 15154-5:2019
- DIN-DVGW tested and certificated

Manufacturer: B-SAFETY or equal  
 Article-No.: BR 075 085

**Technical specifications**

Material:	stainless steel, plastic
Color:	green, black
Headroom:	560 mm
Installation height:	2760 mm (± 100 mm)
Operating pressure:	1.5 to 3 bar
Flow rate:	50 l/min
Water inlet:	¾" male

**Norm conformity**

- DIN EN 15154-1:2006
- DIN EN 15154-5:2019
- ANSI Z358.1-2014

**Approvals**

- DIN-DVGW, DVGW, NW-0417CL0263
- GOST-R, Zertifikats-Nr. 0615463

**Material-overview**

**Material**

**Material description**

High-performance shower head:	plastic POM	-
Flow regulator:	plastic POM	-
Piping:	stainless steel	AISI 304
Push-on rosette:	plastic polyamide	-
Sign for body safety shower:	PVC-foil	-




**Mounting-Instructions**

For an installation in accordance with DIN EN 15154-1:2006 it must be ensured, that the safety shower installation is self-draining between valve and shower head.

[www.b-safety.com](http://www.b-safety.com)

<b>Product overview</b>	
<b>BR 075 085</b>	ClassicLine safety shower arm, ceiling mounted - flow rate 50 l/min (hazard class I according to DIN EN 15154-5:2019)
<b>BR 075 085 / 75L</b>	ClassicLine safety shower arm, ceiling mounted - flow rate 75 l/min / 20 GPM (hazard class II according to DIN 12899-3:2009)
<b>BR 075 085 / 110L</b>	ClassicLine safety shower arm, ceiling mounted - flow rate 110 l/min (hazard class III according to DIN 12899-3:2009)

### Accessories for safety shower arms

Product overview	Model	Material	Water inlet	Water outlet	Article-No.
	Flow switch for eye showers, protection degree IP 65, electrical supply with 1.5 m cable.	Brass	3/4" female	3/4" female	<b>BR 710 800</b>
	Flow switch for eye showers & safety showers, protection degree IP 65, electrical supply with 1.5 m cable. Suitable for EX zones 1 & 2. Water connection: 3/4" female.	Brass	3/4" female	3/4" female	<b>BR 710 800EX</b>
	ClassicLine alarm system for eye showers & safety showers with siren-/flashlight combination. Prewired junction box inclusive electronic switch.  Electrical supply: 230 V - 50 Hz	-	-	-	<b>BR 015 800</b>