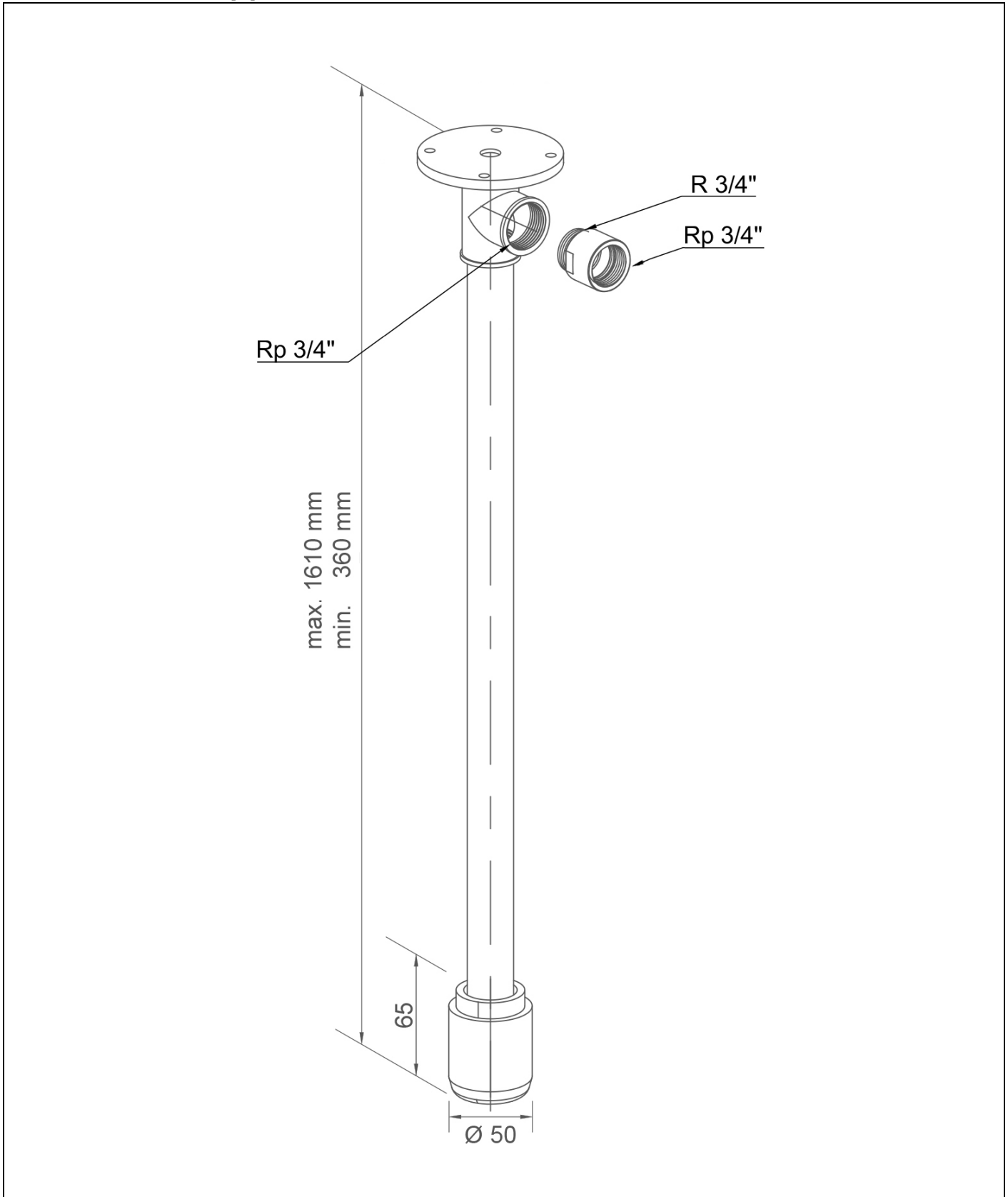


BR 073 085 / V

ClassicLine variable safety shower arm, ceiling mounted, exposed pipework



[www.b-safety.com](http://www.b-safety.com)

**Technical description**

ClassicLine variable safety shower arm, ceiling mounted, exposed pipework

- ceiling flange with 4 mounting holes of stainless steel, chemical resistant green powder coated, water inlet 3/4" female
- ceiling shower arm 3/4" made of stainless steel, chemical resistant green powder coated, headroom variable according to specification (min. 360 mm - max. 1610 mm)
- integrated automatic flow regulation 50 l/min. for a spray pattern acc. to the norms at a specified operating range of 1.5 to 3 bar dynamic water pressure
- high-performance shower head of chemical resistant plastics, black, with improved spray pattern, corrosion resistant, largely scale and maintenance-free, very robust, self-draining
- sign for body safety shower according to DIN EN ISO 7010 und ASR A1.3, self-adhesive PVC-film, 150 x 150 mm, viewing distance 15 metre
- mounting height according to the standards listed below: lower edge of high-performance shower head 2200 mm (± 100 mm) height above floor level
- according to BGI/GUV-I 850-0, DIN 1988 and DIN EN 1717
- according to ANSI Z358.1-2014, DIN EN 15154-1:2006 and DIN EN 15154-5:2019
- DIN-DVGW tested and certificated

Manufacturer: B-SAFETY or equal  
Article-No.: BR 073 085/V

**Technical specifications**

|                      |                          |
|----------------------|--------------------------|
| Material:            | stainless steel, plastic |
| Color:               | green, black             |
| Headroom:            | 360-1610 mm              |
| Installation height: | variable                 |
| Operating pressure:  | 1.5 to 3 bar             |
| Flow rate:           | 50 l/min                 |
| Water inlet:         | 3/4" female              |

**Norm conformity**

- DIN EN 15154-1:2006
- DIN EN 15154-5:2019
- ANSI Z358.1-2014

**Approvals**

- DIN-DVGW, DVGW, NW-0417CL0263
- GOST-R, Zertifikats-Nr. 0615463

**Material-overview**

**Material**

**Material description**

|                               |                 |          |
|-------------------------------|-----------------|----------|
| High-performance shower head: | plastic POM     | -        |
| Flow regulator:               | plastic POM     | -        |
| Piping:                       | stainless steel | AISI 304 |
| Ceiling flange:               | Stainless steel | AISI 304 |
| Sign for body safety shower:  | PVC-foil        | -        |




**Mounting-Instructions**

For an installation in accordance with DIN EN 15154-1:2006 it must be ensured, that the safety shower installation is self-draining between valve and shower head.

[www.b-safety.com](http://www.b-safety.com)

| <b>Product overview</b>   |  |
|---------------------------|--|
| <b>BR 073 085 / V</b>     | ClassicLine variable safety shower arm, ceiling mounted, exposed pipework - flow rate 50 l/min (hazard class I according to DIN EN 15154-5:2019)           |
| <b>BR 073 085 / V75L</b>  | ClassicLine variable safety shower arm, ceiling mounted, exposed pipework - flow rate 75 l/min / 20 GPM (hazard class II according to DIN EN 15154-5:2019) |
| <b>BR 073 085 / V110L</b> | ClassicLine variable safety shower arm, ceiling mounted, exposed pipework - flow rate 110 l/min (hazard class III according to DIN EN 15154-5:2019)        |

### Accessories for safety shower arms

| Product overview   | Model  | Material | Water inlet | Water outlet | Article-No.         |
|--|--|----------|-------------|--------------|---------------------|
|    | Flow switch for eye showers, protection degree IP 65, electrical supply with 1.5 m cable.  | Brass    | 3/4" female | 3/4" female  | <b>BR 710 800</b>   |
|  | Flow switch for eye showers & safety showers, protection degree IP 65, electrical supply with 1.5 m cable. Suitable for EX zones 1 & 2. Water connection: 3/4" female.                   | Brass    | 3/4" female | 3/4" female  | <b>BR 710 800EX</b> |
|  | ClassicLine alarm system for eye showers & safety showers with siren-/flashlight combination. Prewired junction box inclusive electronic switch.<br><br>Electrical supply: 230 V - 50 Hz | -        | -           | -            | <b>BR 015 800</b>   |