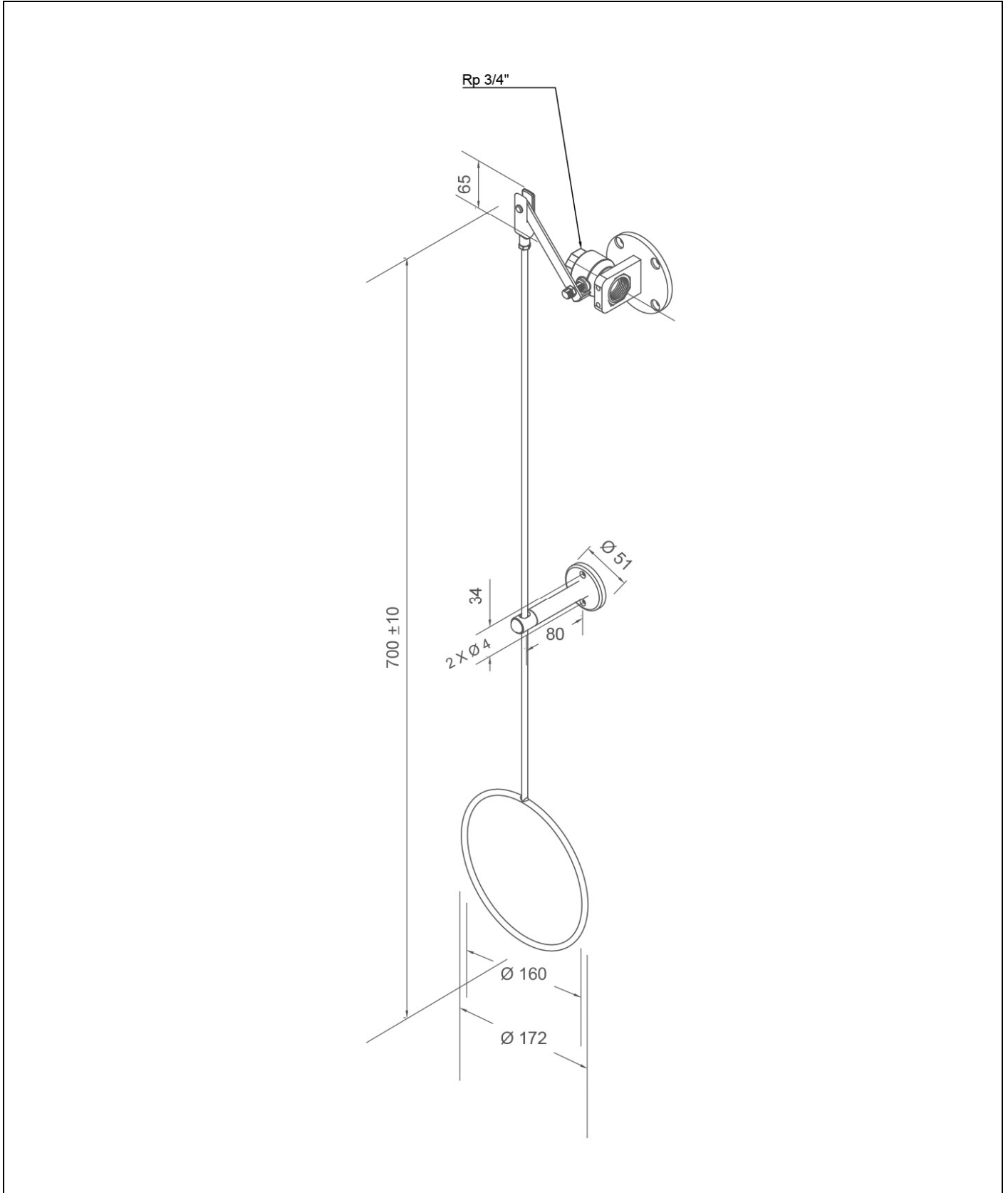


BR 022 985 / V

ClassicLine variable rod operated safety shower valve, wall mounted, exposed pipework



Technical description
<p>ClassicLine variable rod operated safety shower valve, wall mounted, exposed pipework</p> <ul style="list-style-type: none"> <li>- ball valve with pull rod actuation on wall flange of stainless steel, can be mounted either on the right or left side of the door, DIN-DVGW tested and certificated, water inlet ¾" female</li> <li>- flow rate at least 60 l/min at 1 bar flow pressure</li> <li>- pull rod with ring handle made of steel, chemical resistant powder coated, variable length (min. 300 mm - max. 1660 mm)</li> <li>- holder for pull rod made of steel, chemical resistant green powder coated</li> <li>- opening angle 90°, not self-closing</li> <li>- information sign "OPEN" for confusion-free use in an emergency, orange, photoluminescent according to DIN 67510</li> <li>- mounting height for lower edge of pull rod handle according to the standards listed below: 0 to 1750 mm height above floor</li> <li>- according to BGI/GUV-I 850-0, DIN 1988 and DIN EN 1717</li> <li>- according to ANSI Z358.1-2014, DIN EN 15154-1:2006 and DIN EN 15154-5:2019</li> </ul> <p>Manufacturer: B-SAFETY or equal Article-No.: BR 022 985 / V</p>

Technical specifications
Material: stainless steel, steel
Color: green
Dimensions (H x W x D): 300-1600 x 172 x 80 mm
Operating pressure: 1 to 5 bar
Flow rate: at least 60 l/min at 1 bar flow pressure
Water inlet: ¾" female

Norm conformity	Approvals
- DIN EN 15154-1:2006	- GOST-R, Zertifikats-Nr. 0615463
- DIN EN 15154-5:2019	
- ANSI Z358.1-2014	

Mounting-Instructions
For an installation in accordance with DIN EN 15154-1:2006 it must be ensured, that the safety shower installation is self-draining between valve and shower head.

Material-overview	Material	Material description
Valve holder on flange:	stainless steel	AISI 304
Ball valve:	stainless steel	AISI 316
Lever:	stainless steel	AISI 201
Clevis:	galvanized steel	Q235
Pull rod with ring handle:	stainless steel	AISI 201
Pull rod holder:	stainless steel	AISI 201
OPEN-Sign:	plastic	-

Product overview		
<table border="1" style="width: 100%;"> <tr> <td style="width: 20%;"><b>BR 022 985 / V</b></td> <td>ClassicLine variable rod operated safety shower valve, wall mounted, exposed pipework</td> </tr> </table>	<b>BR 022 985 / V</b>	ClassicLine variable rod operated safety shower valve, wall mounted, exposed pipework
<b>BR 022 985 / V</b>	ClassicLine variable rod operated safety shower valve, wall mounted, exposed pipework	