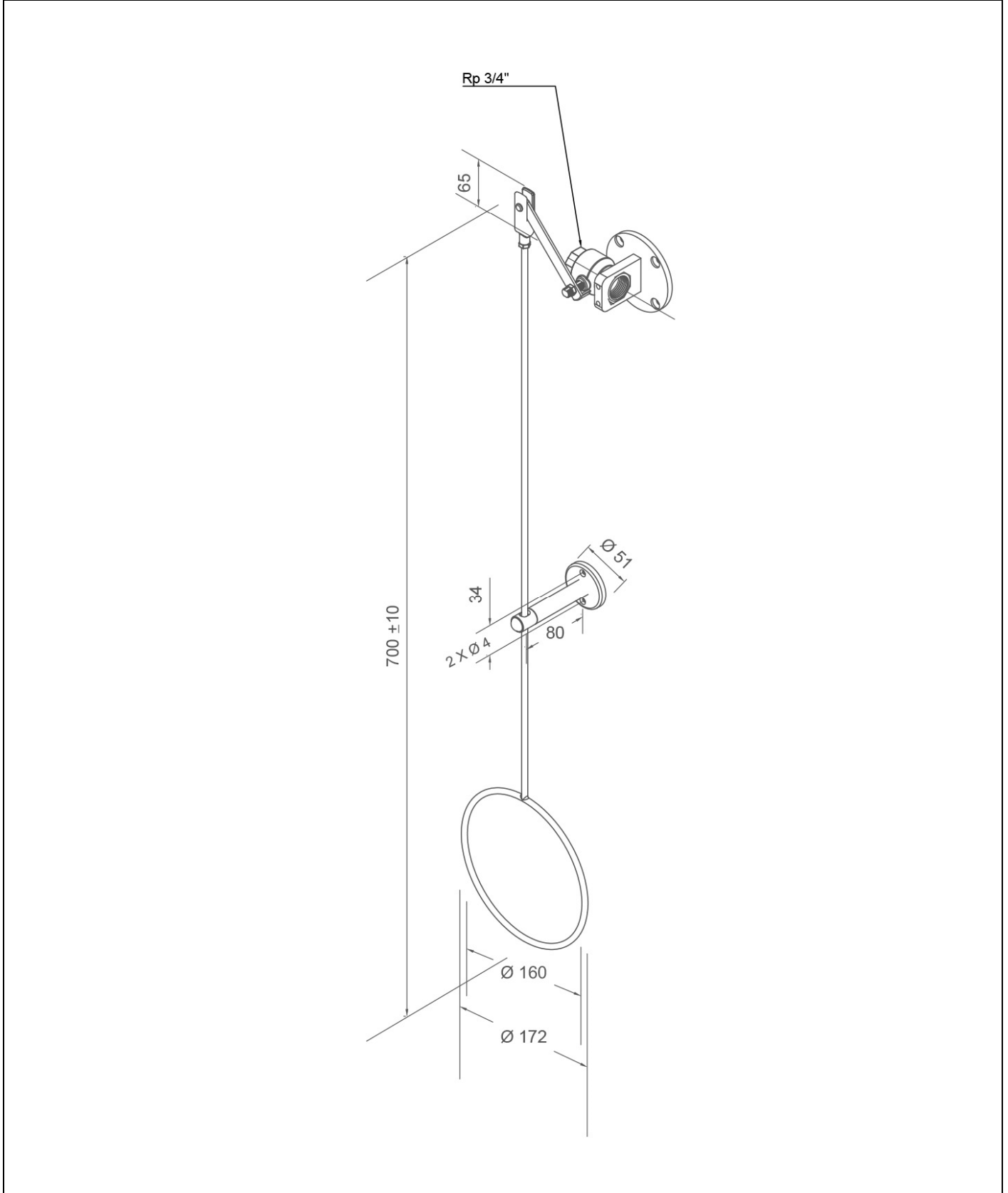


BR 022 985

ClassicLine rod operated safety shower valve, wall mounted, exposed pipework



**Technical description**

ClassicLine rod operated safety shower valve, wall mounted, exposed pipework

- ball valve with pull rod actuation on wall flange of stainless steel, can be mounted either on the right or left side of the door, DIN-DVGW tested and certificated, water inlet ¾" female
- flow rate at least 60 l/min at 1 bar flow pressure
- pull rod with ring handle made of steel, chemical resistant powder coated, length 700 mm
- holder for pull rod made of steel, chemical resistant green powder coated
- opening angle 90°, not self-closing
- information sign "OPEN" for confusion-free use in an emergency, orange, photoluminescent according to DIN 67510
- mounting height for lower edge of pull rod handle according to the standards listed below: 0 to 1750 mm height above floor
- according to BGI/GUV-I 850-0, DIN 1988 and DIN EN 1717
- according to ANSI Z358.1-2014, DIN EN 15154-1:2006 and DIN EN 15154-5:2019

Manufacturer: B-SAFETY or equal  
Article-No.: BR 022 985

**Technical specifications**

Material:	stainless steel, steel
Color:	green
Dimensions (H x W x D):	700 x 172 x 80 mm
Operating pressure:	1 to 5 bar
Flow rate:	at least 60 l/min at 1 bar flow pressure
Water inlet:	¾" female

**Norm conformity**

- DIN EN 15154-1:2006
- DIN EN 15154-5:2019
- ANSI Z358.1-2014

**Approvals**

- GOST-R, Zertifikats-Nr. 0615463

**Mounting-Instructions**

For an installation in accordance with DIN EN 15154-1:2006 it must be ensured, that the safety shower installation is self-draining between valve and shower head.

Material-overview	Material	Material description
Valve holder on flange:	stainless steel	AISI 304
Ball valve:	stainless steel	AISI 316
Lever:	stainless steel	AISI 201
Clevis:	galvanized steel	Q235
Pull rod with ring handle:	stainless steel	AISI 201
Pull rod holder:	stainless steel	AISI 201
OPEN-Sign:	plastic	-

**Product overview**

<b>BR 022 985</b>	ClassicLine rod operated safety shower valve, wall mounted, exposed pipework
-------------------	--